

DEALERBOOK

20
17
—



AS AT FEBRUARY 2017

CROSS-COUNTRY/MARATHON

NINETY-SIX CARBON

27.5" 29"



NINTEY-SIX TEAM



NINTEY-SIX 7000



NINTEY-SIX 9000-E



NINTEY-SIX XT



NINTEY-SIX 6000

SIZES

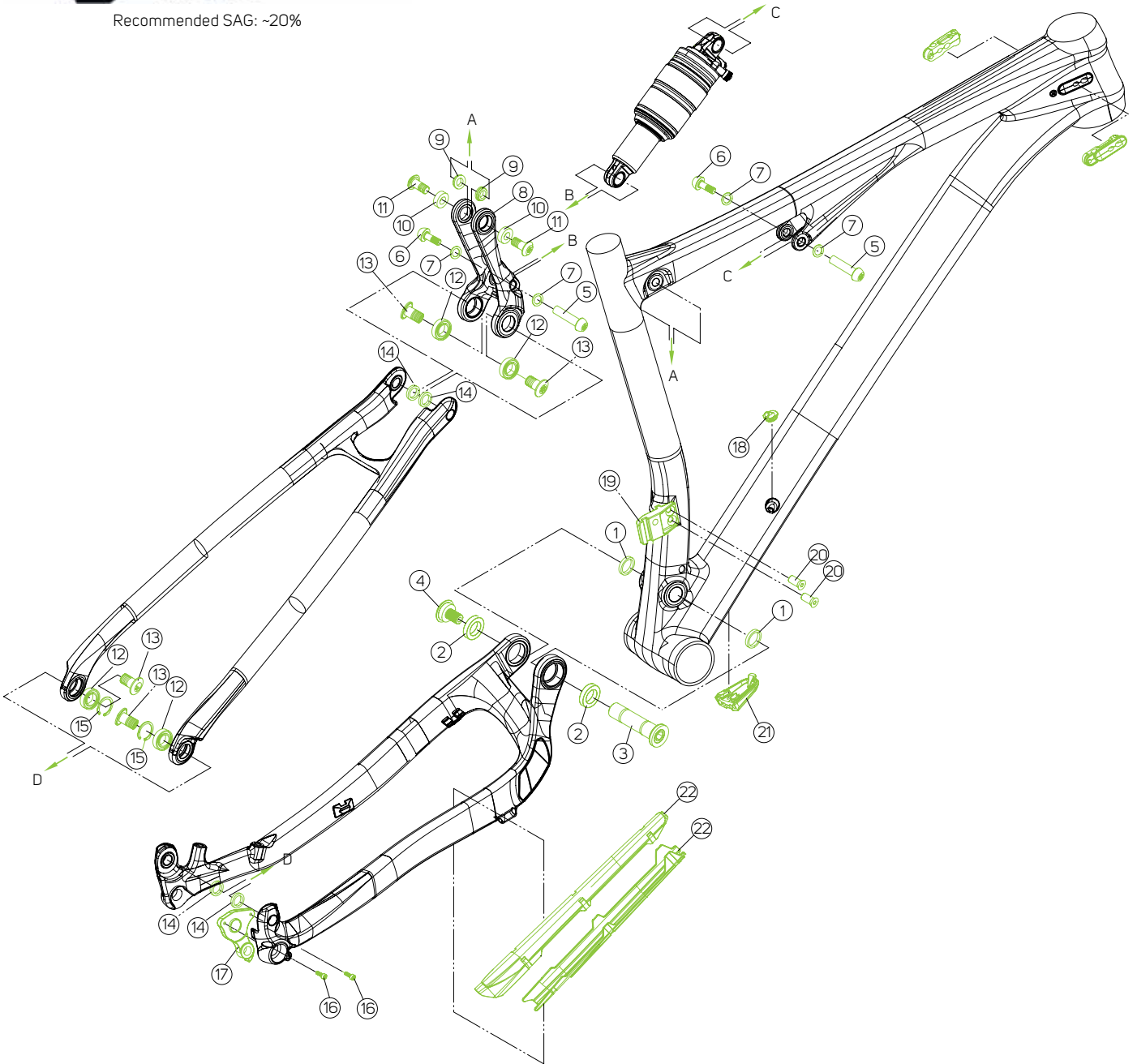
SHAFT EYELET

BODY EYELET

in.	mm	PIN width	PIN ID	PIN width	PIN ID
6.5 x 1.5"	165 x 38mm	22,2 mm	8 mm	19 mm	8 mm



Recommended SAG: ~20%



NO.	ITEM NO.	ITEM	DETAIL INFORMATION	PIECES	TORQUE NM
1	2294001180	WASHER		2	
2	2221001695	BEARING	1524F 24D*15D*5W	2	
3	2300011111	BOLT		1	
4	2300011122	SCREW		1	
5	2300010488	BOLT		2	18
6	2300010499	SCREW		2	12
7	2292002170	WASHER		4	
8	-	ROCKER		1	
9	2294004235	WASHER		2	
10	2221001297	BEARING	688V2RS 16D*8D*5T	2	
11	2300011133	BOLT		2	14

NO.	ITEM NO.	ITEM	DETAIL INFORMATION	PIECES	TORQUE NM
12	2221001736	BEARING	6800V2RS 19D*10D*5T	4	
13	2300011144	BOLT		4	16
14	2294003427	WASHER		4	
15	2294004428	RETAINING RING		2	
16	2300010886	SCREW		2	4
17	2311004928	HANGER		1	
18	2143002892	CABLE PLUG		1	
19	2164001290	FD ADAPTER		1	
20	2300011359	BOLT		2	8
21	2258003867	CABLE EXIT		1	
22	2158003153	CHAINSTAY PROTECTOR		1	

NINETY-SIX

27.5"

29"



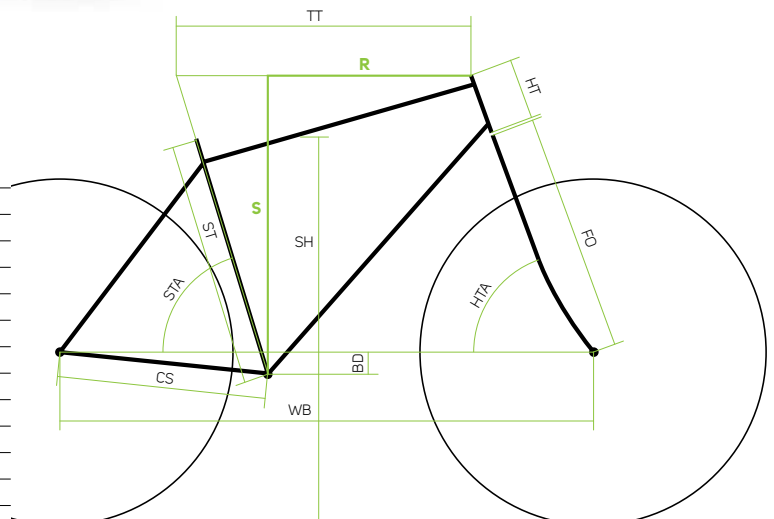
NINETY-SIX 800



NINETY-SIX 600

NINETY-SIX CARBON / ALLOY [CF5 / CF4 / CFA / LITE]

	S [27.5"]	M [27.5"]	M [29"]	L [29"]	XL [29"]
FS frame sizes	S [27.5"]	M [27.5"]	M [29"]	L [29"]	XL [29"]
ST seat tube [mm]	420	460	460	510	560
TT top tube [mm]	560	585	590	615	640
HT head tube [mm]	100	115	100	115	130
HTA head tube angle [°]	69	69	70	70	70
STA seat tube angle [°]	75	75	74.5	74.5	74.5
CS chain stays [mm]	427	427	437	437	437
BD bottom bracketed drop [mm]	21	21	40	40	40
FO fork length [mm]	490	490	503	503	503
SH stand over height [mm]	750	752	768	773	776
S stack [mm]	556	570	589	603	617
R reach [mm]	411	431	429	449	468
WB wheel base [mm]	1090	1115	1118	1143	1168



SIZES

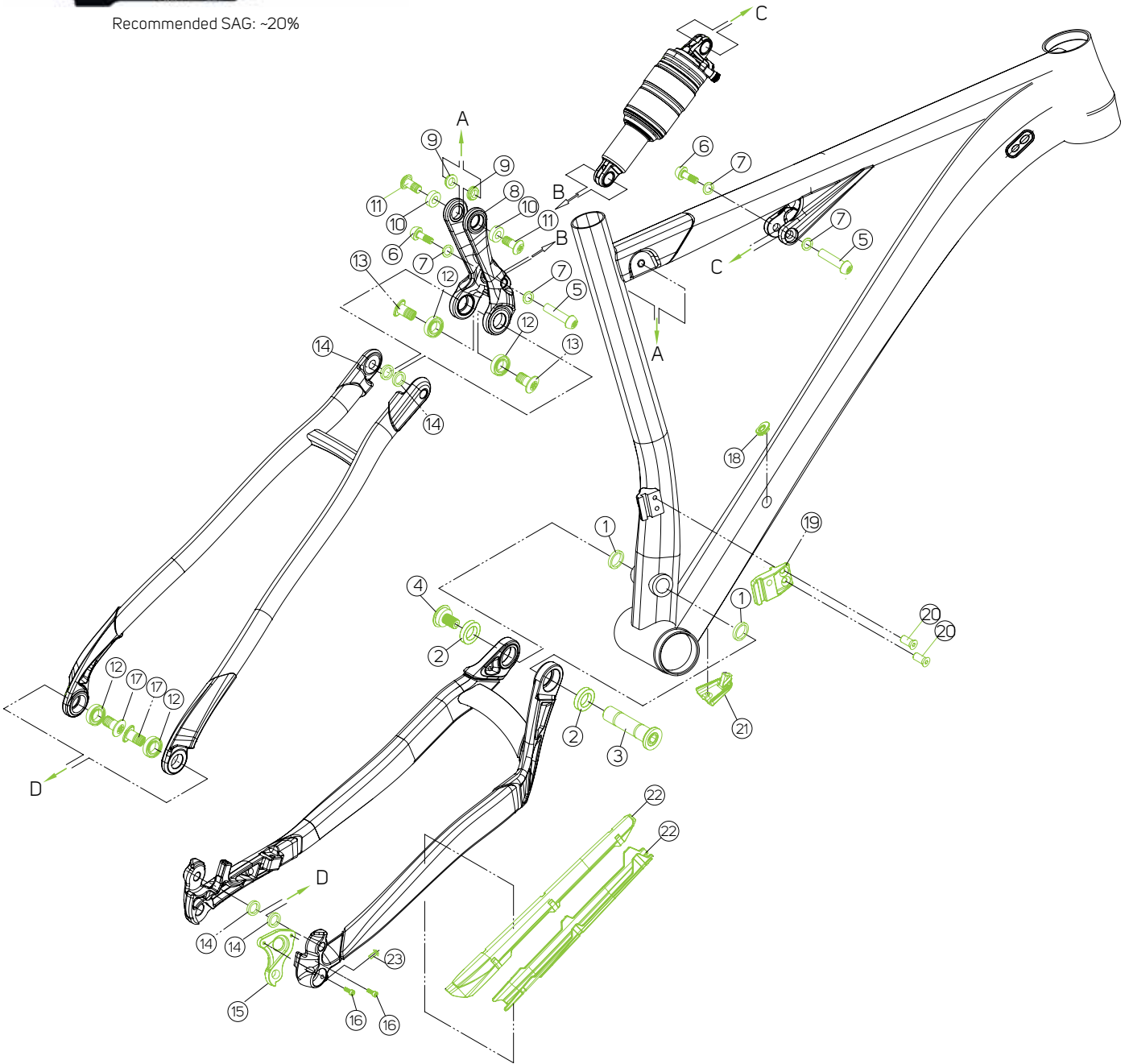
SHAFT EYELET

BODY EYELET

in.	mm	PIN width	PIN ID	PIN width	PIN ID
6.5 x 1.5"	165 x 38mm	22,2 mm	8 mm	19 mm	8 mm



Recommended SAG: ~20%



NO.	ITEM NO.	ITEM	DETAIL INFORMATION	PIECES	TORQUE NM
1	2294001180	WASHER		2	
2	2221001695	BEARING	1524F 24D*15D*5W	2	
3	2300011111	BOLT		1	
4	2300011122	SCREW		1	18
5	2300010819	BOLT		2	
6	2300010820	SCREW		2	12
7	2292002170	WASHER		4	
8	-----	ROCKER		1	
9	2294004235	WASHER		2	
10	2221001297	BEARING	688V2RS 16D*8D*5W	2	
11	2300011133	BOLT		2	14
12	2221001907	BEARING	6800V2RS 19D*10D*5W	4	

NO.	ITEM NO.	ITEM	DETAIL INFORMATION	PIECES	TORQUE NM
13	2300011144	BOLT		2	
14	2294003427	WASHER		4	
15	2311004928	HANGER		1	
16	2300009458	BOLT		2	4
17	2300011423	BOLT		2	
18	2258003254	CABLE PLUG		1	
19	2164001201	FD ADAPTER		1	
20	2300005852	BOLT		2	8
21	2258003124	CABLE EXIT		1	
22	2158003153	CHAINSTAY PROTECTOR		1	
23	2300005272	SCREW		1	5

TRAIL

ONE-TWENTY CARBON

27.5" 29"



ONE-TWENTY 8000



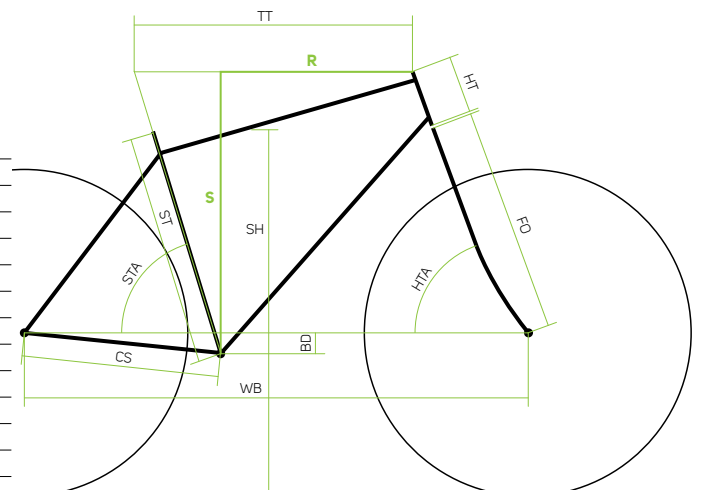
ONE-TWENTY 7000



ONE-TWENTY 5000

ONE-TWENTY CFA

	S [27.5"]	M [27.5"]	L [27.5"]	M [29"]	L [29"]	XL [29"]
FS frame sizes	S [27.5"]	M [27.5"]	L [27.5"]	M [29"]	L [29"]	XL [29"]
ST seat tube [mm]	415	450	500	450	500	550
TT top tube [mm]	575	595	620	595	618	642
HT head tube [mm]	105	110	120	95	105	115
HTA head tube angle [°]	68	68	68	69	69	69
STA seat tube angle [°]	74.5	74.5	74.5	75	75	75
CS chain stays [mm]	440	440	440	445	445	445
BD bottom bracketed drop [mm]	25	25	25	40	40	40
FO fork length [mm]	519	519	519	538	538	538
SH stand over height [mm]	710	732	756	740	768	773
S stack [mm]	589	593	603	615	624	633
R reach [mm]	412	430	452	431	450	471
WB wheel base [mm]	1122	1142	1167	1144	1167	1191



SIZES

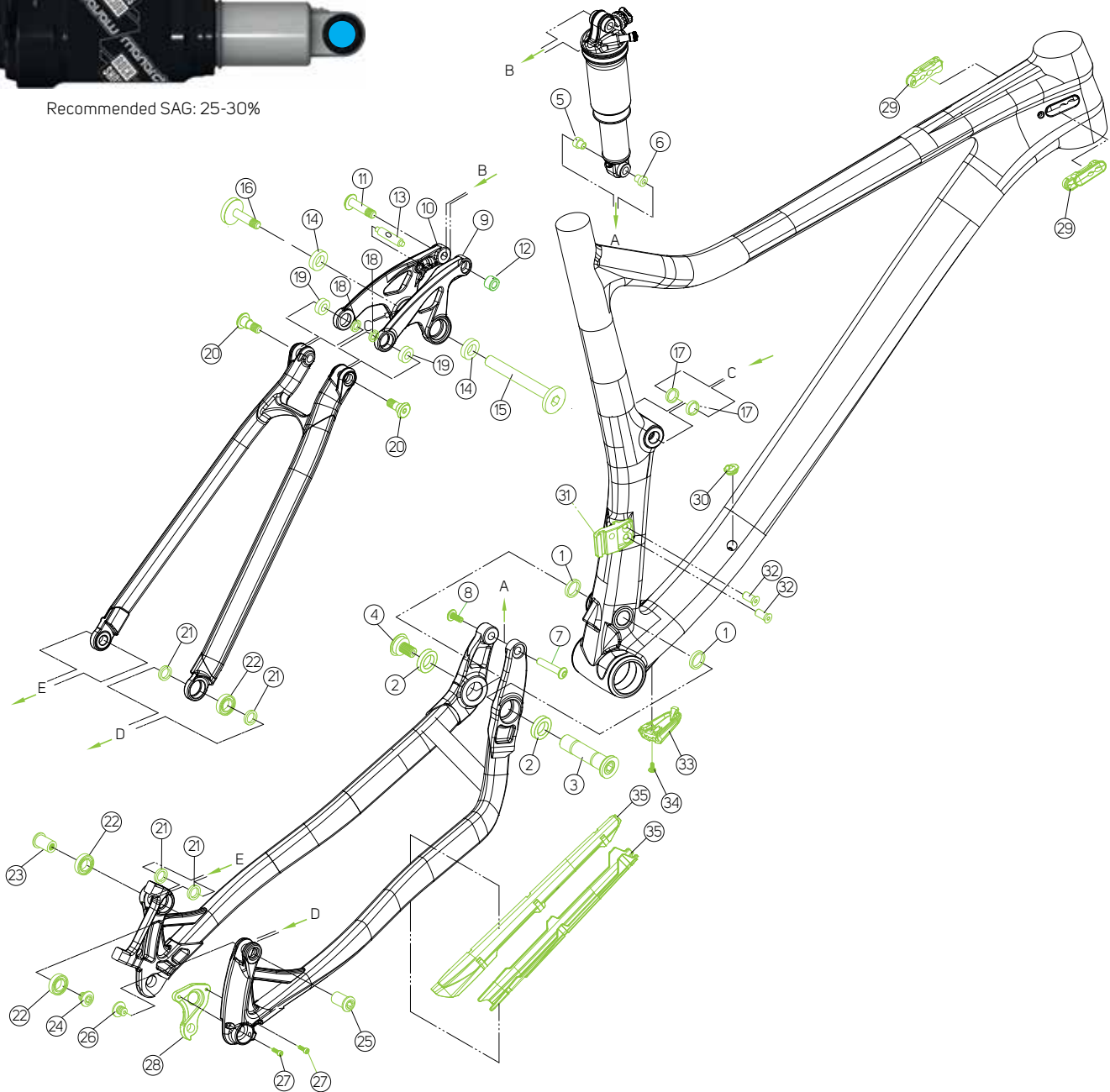
SHAFT EYELET

BODY EYELET

in.	mm	PIN width	PIN ID	PIN width	PIN ID
75 x 2"	190 x 51mm	22,2 mm	8 mm	custom	8 mm



Recommended SAG: 25-30%



NO.	ITEM NO.	ITEM	DETAIL INFORMATION	PIECES	TORQUE NM
1	2294001180	WASHER		2	
2	2221001695	BEARING	1524F 24D*15D*5W	2	
3	2300009555	BOLT		1	
4	2300009566	SCREW		1	16-18
5	2294003160	WASHER		1	
6	2294003171	WASHER		1	10-12
7	2300009760	BOLT		1	
8	2300009771	SCREW		1	
9	2035001394	ROCKER		1	
10	2035001402	ROCKER		1	
11	2300003690	SCREW		1	12-14
12	2302001546	NUT		1	
13	2181000278	CABLE GUIDE		1	
14	2221001703	BEARING	6801V-2RS 21D*12D*5W	2	
15	2300009492	BOLT		1	
16	2300009481	SCREW		1	-3
17	2294002255	WASHER		2	
18	2294001544	WASHER		2	

NO.	ITEM NO.	ITEM	DETAIL INFORMATION	PIECES	TORQUE NM
19	2221001297	BEARING	688V2RS 16D*8D*5W	2	
20	2300010068	SCREW		2	-7
21	2294003427	WASHER		4	
22	2221001736	BEARING	6800V2RS 19D*10D*5W	3	
23	2300009533	BOLT		1	
24	2300009544	SCREW		1	
25	2300009511	BOLT		1	
26	2300009522	SCREW		1	
27	2300009458	SCREW		2	
28	2311004928	HANGER		1	
29	see page 14	SMART ENTRY		2	
30	2143002687	CABLE PLUG		1	
31	2164001201	FD ADAPTER		1	
32	2300005852	SCREW		2	
33	2258003867	CABLE GUIDE		1	
34	2300009890	BOLT		1	
35	2158003153	PROTECTOR		1	

TRAIL

ONE-TWENTY

27.5" 29"



ONE-TWENTY 900



ONE-TWENTY XT-EDITION



ONE-TWENTY 800



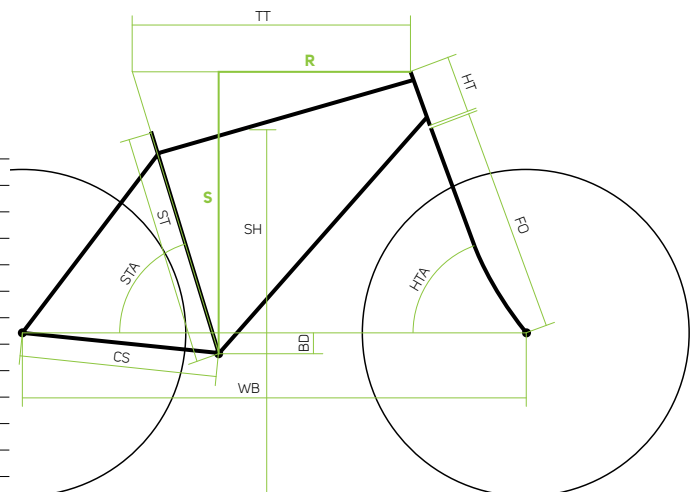
ONE-TWENTY 600



ONE-TWENTY 500

ONE-TWENTY TFS

	S [27.5"]	M [27.5"]	L [27.5"]	M [29"]	L [29"]	XL [29"]
FS frame sizes	S [27.5"]	M [27.5"]	L [27.5"]	M [29"]	L [29"]	XL [29"]
ST seat tube [mm]	415	450	500	450	500	551
TT top tube [mm]	575	595	620	595	618	642
HT head tube [mm]	105	110	120	95	105	115
HTA head tube angle [°]	68	68	68	69	69	69
STA seat tube angle [°]	74.5	74.5	74.5	75	75	75
CS chain stays [mm]	440	440	440	445	445	445
BD bottom bracketed drop [mm]	25	25	25	40	40	40
FO fork length [mm]	519	519	519	538	538	538
SH stand over height [mm]	707	732	756	740	768	796
S stack [mm]	589	593	603	615	624	633
R reach [mm]	412	430	452	431	450	471
WB wheel base [mm]	1122	1142	1167	1144	1167	1191



SIZES

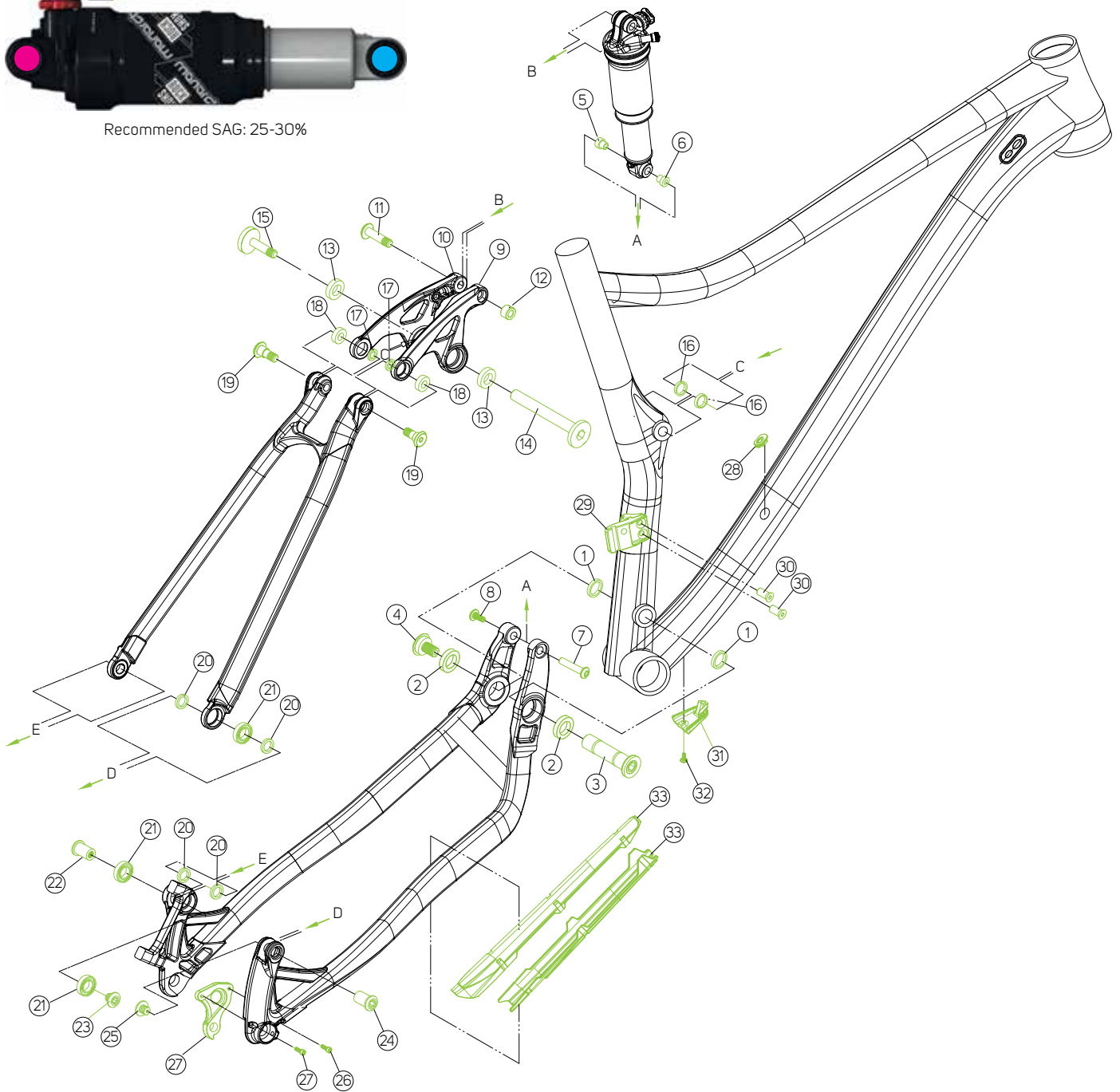
SHAFT EYELET

BODY EYELET

in.	mm	PIN width	PIN ID	PIN width	PIN ID
7.5 x 2"	190 x 51mm	22,2 mm	8 mm	custom	8 mm



Recommended SAG: 25-30%



NO.	ITEM NO.	ITEM	DETAIL INFORMATION	PIECES	TORQUE NM
1	2294001180	WASHER		2	
2	2221001695	BEARING	1524F 24D*15D*5W	2	
3	2300009555	BOLT		1	
4	2300009566	SCREW		1	16-18
5	2294003160	WASHER		1	
6	2294003171	WASHER		1	
7	2300009760	BOLT		1	
8	2300009771	SCREW		1	10-12
9	2035001394	SLINK		1	
10	2035001402	SLINK		1	
11	2300003690	SCREW		1	12-14
12	2302001546	NUT		1	
13	2221001703	BEARING	6801V-2RS 21D*12D*5W	2	
14	2300009492	BOLT		1	
15	2300009481	SCREW		1	12-14
16	2294002255	WASHER		2	
17	2294001544	WASHER		2	

NO.	ITEM NO.	ITEM	DETAIL INFORMATION	PIECES	TORQUE NM
18	2221001297	BEARING	688V2RS 16D*8D*5W	2	
19	2300010068	SCREW		2	12-14
20	2294003427	WASHER		4	
21	2221001736	BEARING	6800V2RS 19D*10D*5W	3	
22	2300009533	BOLT		1	
23	2300009544	SCREW		1	12-14
24	2300009511	BOLT		1	
25	2300009522	SCREW		1	12-14
26	2300009458	SCREW		2	~3
27	2311004928	HANGER		1	
28	2258003254	CABLE GUIDE		1	
29	2164001201	FD ADAPTE		1	
30	2300005852	SCREW		2	~7
31	2258003124	CABLE GUIDE		1	
32	2300009890	BOLT		1	
33	2158003153	PROTECTOR		1	

ALL MOUNTAIN

ONE-FORTY

27.5"



ONE-FORTY 700



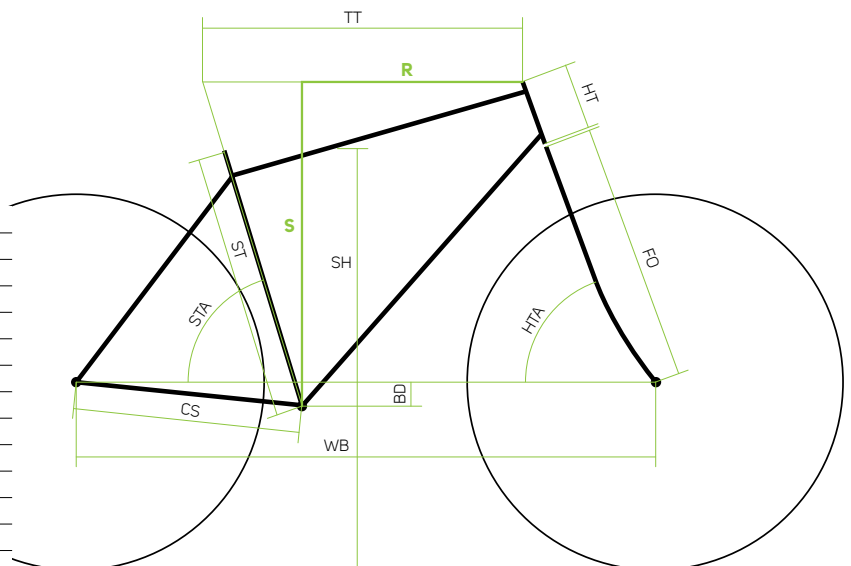
ONE-FORTY 600



ONE-FORTY 500

ONE-FORTY CFA

FS	frame sizes	S	M	L	XL
ST	seat tube [mm]	390	440	480	530
TT	top tube [mm]	560	595	625	650
HT	head tube [mm]	100	110	120	130
HTA	head tube angle [°]	67	67	67	67
STA	seat tube angle [°]	74	74	74	74
CS	chain stays [mm]	445	445	445	445
BD	bottom bracketed drop [mm]	18	18	18	18
FO	fork length [mm]	540	540	540	540
SH	stand over height [mm]	707	748	778	805
S	stack [mm]	592	601	610	620
R	reach [mm]	390	423	450	472
WB	wheel base [mm]	1121	1157	1188	1215

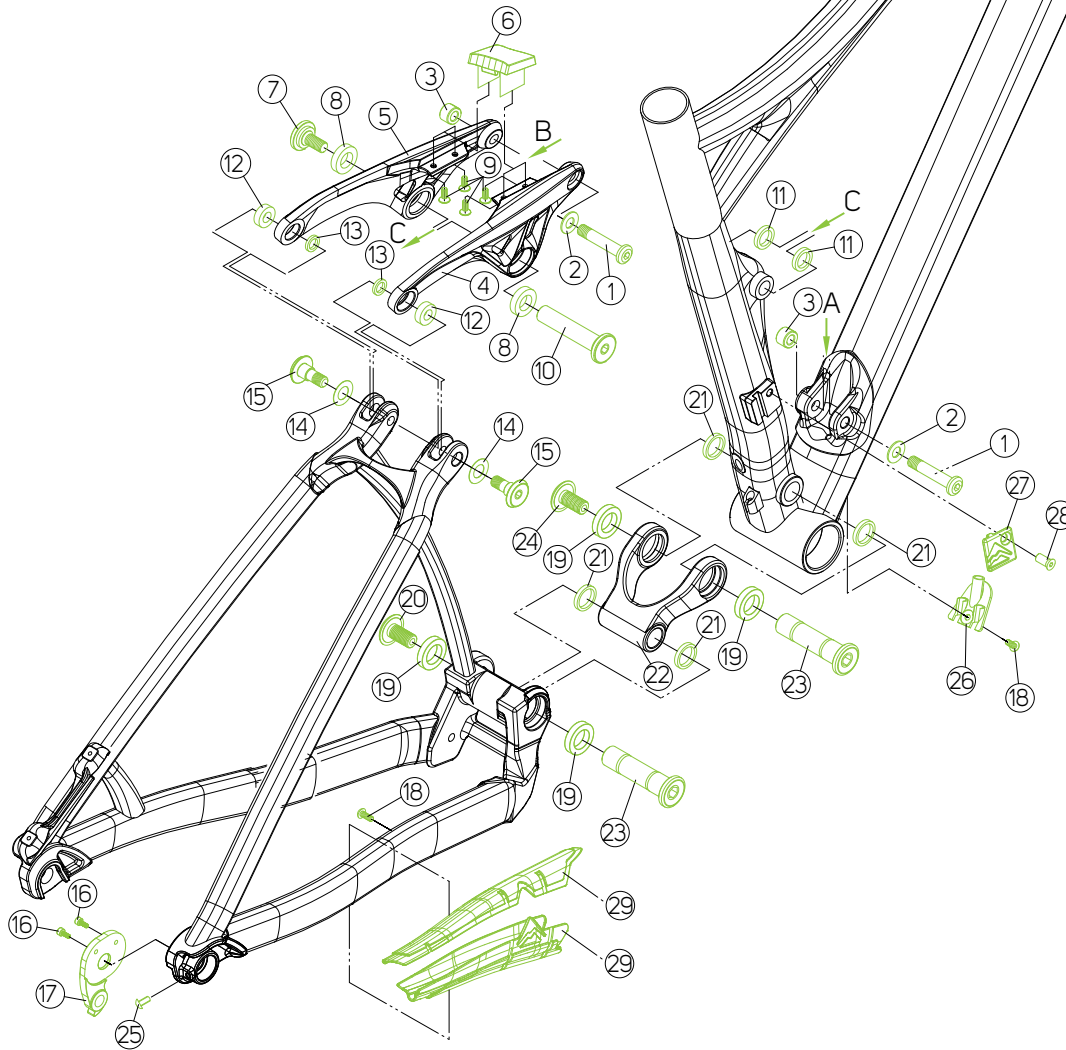
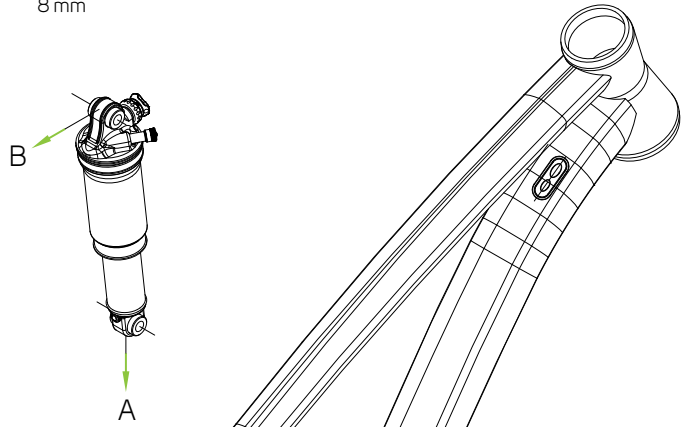


● SHAFT EYELET ● BODY EYELET

in.	mm	PIN width	PIN ID	PIN width	PIN ID
7.5 x 2"	190 x 51mm	22,2 mm	8 mm	22,2 mm	8 mm



Recommended SAG: ~30%



NO.	ITEM NO.	ITEM	DETAIL INFORMATION	PIECES	TORQUE NM
1	2300003010	SCREW		2	10-12
2	2292001931	WASHER		2	
3	2302001104	NUT		2	
4	2035001167	ROCKER(R)		1	
5	2035001156	ROCKER(L)		1	
6	2035001178	ROCKER		1	
7	2300007605	SCREW		1	12-14
8	2221001703	BEARING	6801V-2RS 21D/12D/5W	2	
9	2300007973	SCREW		4	~4
10	2300007597	BOLT		1	
11	2294003137	WASHER		2	
12	2221001297	BEARING	688V2RS 16D*8D*5W	2	
13	2294001544	WASHER		2	
14	2292002040	WASHER		2	
15	2300007531	SCREW		2	12-14

NO.	ITEM NO.	ITEM	DETAIL INFORMATION	PIECES	TORQUE NM
16	2300000772	SCREW		2	~2
17	2311004939	HANGER		1	
18	2300009050	SCREW		2	~4
19	2221001695	BEARING	1524F 24D*15D*5W	4	
20	2300007553	SCREW		1	14-16
21	2294001180	WASHER		4	
22	2035001060	SLINK		1	
23	2300007564	BOLT		2	
24	2300007575	SCREW		1	14-16
25	2300005272	SCREW		1	~4
26	2258002015	CABLE GUIDE		1	
27	2136000905	COVER		1	
28	2300010273	SCREW		1	~5
29	2158002754	PROTECTOR		1	

ONE-SIXTY CARBON

27.5"



ONE-SIXTY 9000



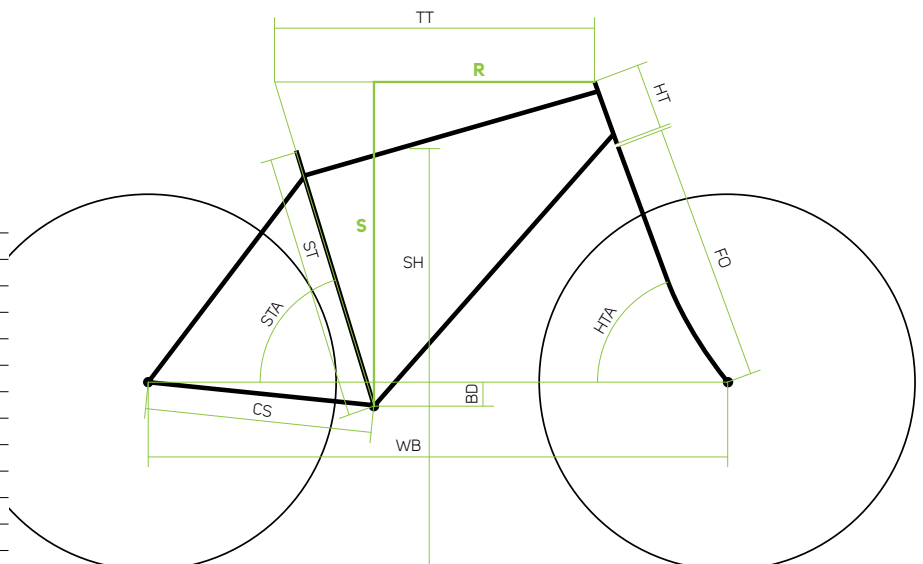
ONE-SIXTY 7000



ONE-SIXTY 5000

ONE-SIXTY CFA

FS	frame sizes	S	M	L
ST	seat tube [mm]	400	430	470
TT	top tube [mm]	563	597	632
HT	head tube [mm]	100	110	125
HTA	head tube angle [°]	65.3	65.3	65.3
STA	seat tube angle [°]	68.5	68.5	68.5
CS	chain stays [mm]	430	430	430
BD	bottom bracket drop [mm]	6	6	6
FO	fork length [mm]	562	562	562
SH	stand over height [mm]	717	736	766
S	stack [mm]	592	601	614
R	reach [mm]	415	445	475
WB	wheel base [mm]	1166	1201	1237

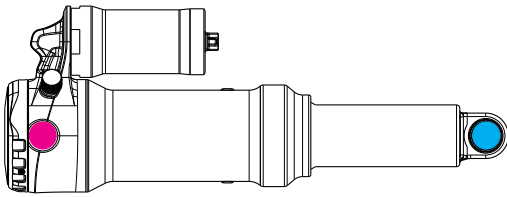


SIZES

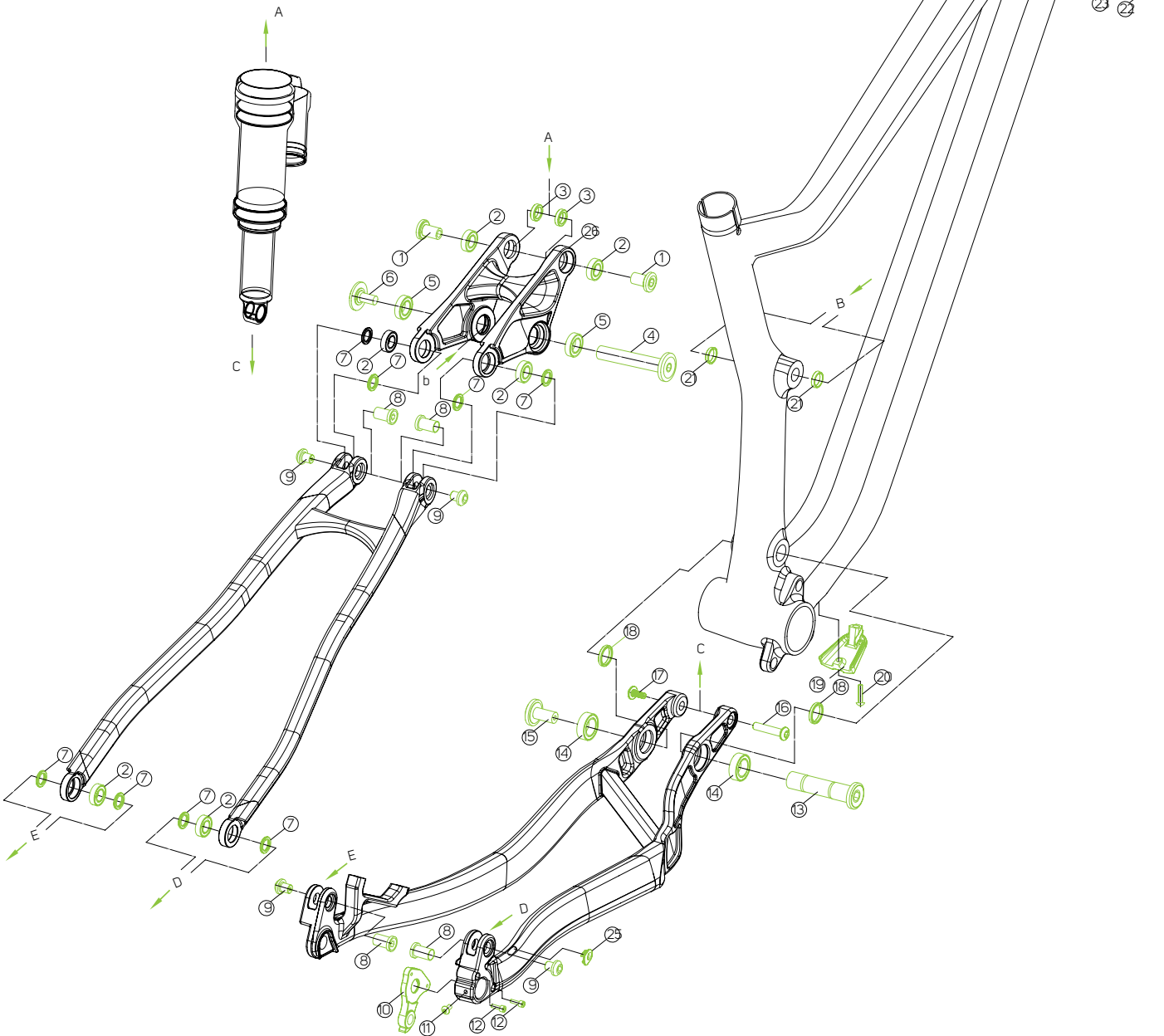
SHAFT EYELET

BODY EYELET

in.	mm	PIN width	PIN ID	PIN width	PIN ID
8.5 x 2.5"	205 x 62.5mm			40 mm	8 mm



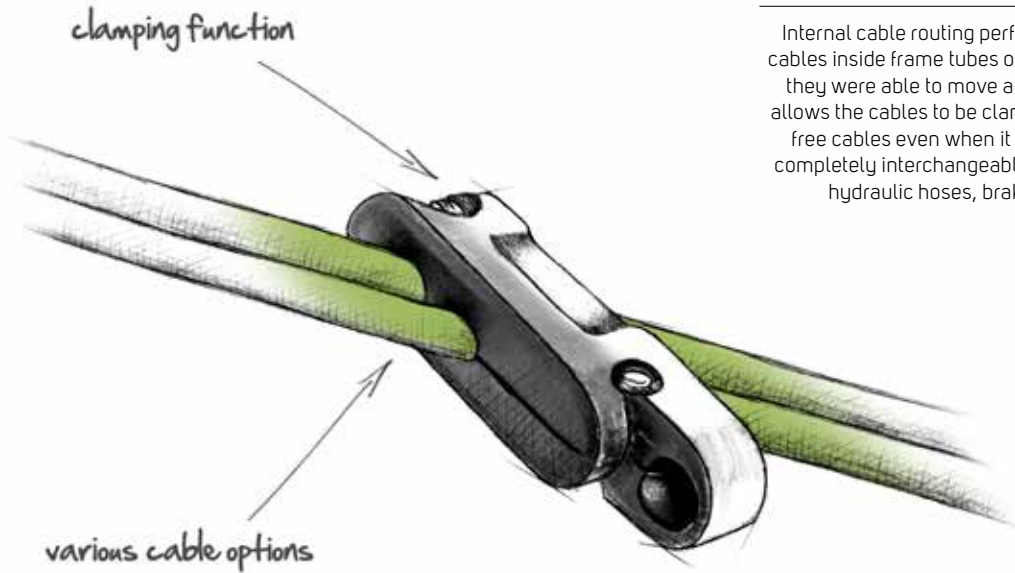
Recommended SAG: 30-35%



NO.	ITEM NO.	ITEM	DETAIL INFORMATION	PIECES	TORQUE NM
1	2300011274	BOLT		2	14
2	2221001736	BEARING	6800V-2RS 19D*10D*5W	6	
3	2294004440	WASHER		2	
4	2300011296	BOLT		1	12
5	2221001509	BEARING	6801V-2RS 21D*12D*5W	2	
6	2300011285	SCREW		1	12
7	2294004451	WASHER		8	
8	2300011263	BOLT		4	12
9	2300011252	SCREW		4	12
10	2311004928	HANGER		1	
11	2300005272	SCREW		1	5
12	2300010950	SCREW		2	5
13	2300011315	BOLT		1	14

NO.	ITEM NO.	ITEM	DETAIL INFORMATION	PIECES	TORQUE NM
14	2221001446	BEARING	3802V-2RD 24D*15D*7W	2	
15	2300011304	SCREW		1	14
16	2300011564	BOLT		1	10
17	2300011575	SCREW		1	10
18	2294004462	WASHER		2	
19	2258003867	CABLE GUIDE		1	
20	2300009890	SCREW		1	5
21	2294004439	WASHER		2	
22	2300011412	SCREW		2	4
23	-	SMART ENTRY		1	
24	-	SMART ENTRY		1	
25	2258003812	CABLE GUIDE		1	
26	-	ROCKER		1	

SMART ENTRY



Internal cable routing perfected: Up to this point, the routing of cables inside frame tubes often had the unwanted side effect that they were able to move and produce noise. Our 'Smart Entry' allows the cables to be clamped under tension, resulting in rattle free cables even when it is getting rough. All cable inlets are completely interchangeable to deal with any kind of set up; Di2, hydraulic hoses, brake and gear cable housings etc.



SE-0

ITEM NO.	ITEM
2258004028	Blind plug, aluminum black anodized



SE5 1-0-0

ITEM NO.	ITEM
2258004062	1 x 5 mm hydraulic cable, aluminum



SE 1-0-1

ITEM NO.	ITEM
2258004095	1 x 5 mm hydraulic cable, 1 x 3 mm Di2 cable, aluminum black anodized



SE 1-1-0

ITEM NO.	ITEM
2258004084	1 x 5 mm hydraulic cable, 1 x 4 mm mechanical cable, aluminum



SE41 1-0-0

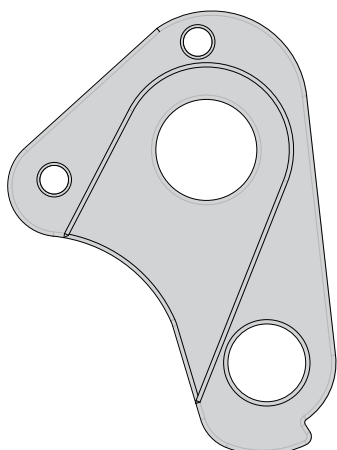
ITEM NO.	ITEM
2258004051	1 x 4 mm mechanical cable, aluminum



SE 1-1-2

ITEM NO.	ITEM
2258004341	1 x 5 mm hydraulic cable, 1 x 4 mm 2 x 2.5 mm Di2 cable, aluminum black anodized

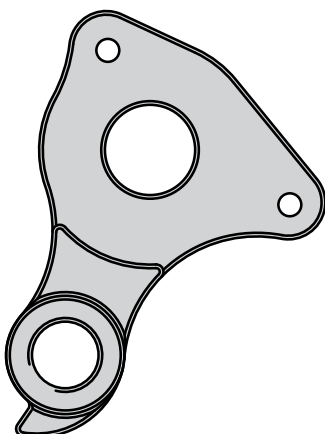
DROPOUTS



DH-054 Item.No. 2311004984

YEAR 2017

SCULTURA DISC TEAM / 7000-E / 6000 / 5000 / 4000 / 4000 JULIET / 500 / 400 / 400 JULIET



DH-053 Item.No. 2311004928

YEAR 2017

ONE-SIXTY 8000 / 7000 / 5000
ONE-TWENTY 9.8000 / 9.7000E / 9.7000 / 9.900 / 9.800 / 9.600 / 9.500

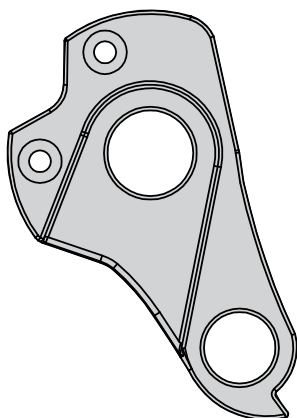
ONE-TWENTY 7.8000 / 7.7000E / 7.7000 / 7.900 / 7.800 / 7.600 / 7.500 / 7.XT EDITION / 7.XT EDITION JULIET

NINETY-SIX 9.TEAM / 9.9000E / 9.7000 / 9.6000 / 9.XT / 9.800 / 9.600

NINETY-SIX 7.TEAM / 7.9000E / 7.7000 / 7.6000 / 7.XT / 7.800 / 7.600

BIG NINE TEAM / 9000 / 7000-E / 7000 / 6000 / XT / 5000 / 4000 / 900 / 800 / TEAM ISSUE

BIG SEVEN TEAM / 9000 / 7000-E / 7000 / 6000 / XT / 5000 / 4000 / 900 / 800 / TEAM ISSUE



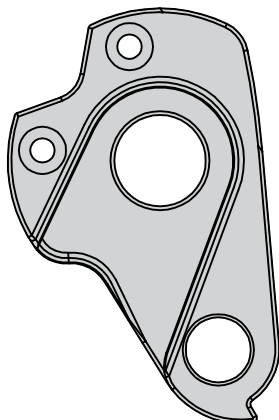
DH-047 Item.No. 2311004832

YEAR 2017

CROSSWAY URBAN 7000

YEAR 2016

CROSSWAY URBAN 7000



DH-046 Item.No. 2311004780

YEAR 2017

CYCLO CROSS 9000 / 6000 / 5000
SPEEDER 4000 / 4000 JULIET

YEAR 2016

CYCLO CROSS 9000 / 6000 / 5000
SPEEDER 5000 / 3000

DH-038A

YEAR 2016

NINETY-SIX TEAM / 9000-E / 7000 / XT / 6000

NINETY-SIX 800 / 600

ONE-TWENTY 8000 / 7000 / 5000

ONE-TWENTY 900 / 800 / XT-EDITION / 600 / 500

BIG SEVEN TEAM ISSUE / 900 / 800

DH-038C

YEAR 2015

BIG SEVEN 900 / 800

ONE-TWENTY 7. XT-EDITION / 600 / 600 JULIET

ONE-TWENTY 7.500 / 900 / 800 / XT-DE

DH-038

YEAR 2014

BIG SEVEN TEAM ISSUE / 1500 / 1000

DH-024 Item.No. 2311003400

YEAR 2017

ONE FORTY 700

ONE FORTY 600

ONE FORTY 500

BIG TRAIL 900

BIG TRAIL 800 / 600

YEAR 2016

BIG NINE TEAM / 9000 / 7000 / XT / 6000 / 1000

BIG NINE 900 / TEAM ISSUE / 800

BIG SEVEN TEAM / 9000 / 7000 / XT / 6000 / 1000

BIG SEVEN 900 / TEAM ISSUE / 800

ONE-FORTY 7. 900 / 700 / 600 / 500

ONE-SIXTY 7. 900 / 600

YEAR 2015

NINETY-NINE 9. 800 / 600 / XT

NINETY-NINE 9. 6000 / 7000 / TEAM / XT-DE

ONE-SIXTY 7. 600 / 700 / 900

ONE-EIGHTY 6. 900 / 500

ONE-FORTY 7. 900 / 700 / 600 / 500

BIG NINE TEAM / 6000 / 9000 / 1000 / XT

BIG NINE 900 / 800 / LITE XT-DE

BIG SEVEN TEAM / 6000 / 7000 / 9000

BIG SEVEN 1000 / XT

YEAR 2014

FREDDY 1 / 3 / 5

ONE-SIXTY 1 / 2 / 5

ONE FORTY 1-B / 2-B / 3-B / 5-B

BIG NINETY-NINE TEAM / 3000 / XO / XT

BIG NINETY-NINE 1500 / 1000 / 900

BIG NINE CF TEAM / 5000 / 3000 / XO-EDITION

BIG NINE CF XT-EDITION / 1000

BIG NINE 1500 / TEAM ISSUE / 1000

BIG SEVEN CF TEAM / 3000 / XO-EDITION / XT ED.

YEAR 2013

FREDDY TEAM / 1

ONE-SIXTY 3000 / 1800 / 1000

ONE FORTY 3000 / XT-EDITION / 1500 / 900

BIG NINETY-NINE 3000 / XO / XT / XT-M / 1000

BIG NINE CARBON TEAM / 3000 / XO-EDT / XT-M

BIG NINE LITE TEAM ISSUE / 1500

YEAR 2012

ONE FORTY CARBON 3000 DISC

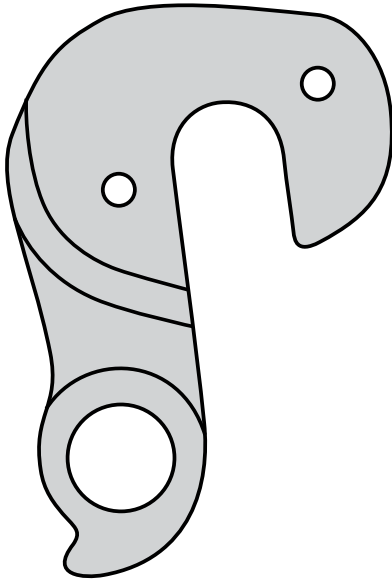
BIG NINE CARBON TEAM / 3000 / 2000

BIG NINE LITE TEAM / 3000 / 2000

YEAR 2011

ONE FORTY CARBON 3000 DISC

ONE FORTY CARBON 2000 DISC

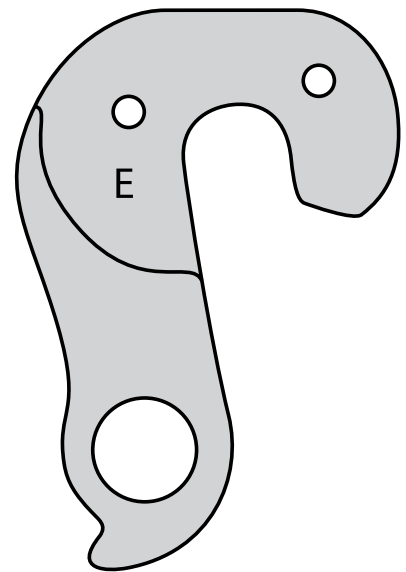


DH-013C Item.No. 2311002346

YEAR 2017
BIG.NINE TFS XT-EDITION / 600 / 500 / 300 / 100
BIG SEVEN TFS XT-EDITION / 600 / 500 / 300 / 100
JULIET XT EDITION / 500 / 300 / 100
CROSSWAY XT EDITION / 900 / 600 / XT EDITION-LADY / 500 / 500-LADY / 300 / 100 / 300-LADY / 100-LADY
CROSSWAY URBAN XT EDITION / 500 / 500-LADY / 300 / 100 / 100 LADY
JULIET 7.40-D / 7.40-MD / 7.20-D / 7.20-MD
JULIET 6.40-D/40-MD/40-V / 6.20-D/20-V/20-MD / 6.10V
YEAR 2016
BIG.NINE E-LITE 900 / 600
BIG.SEVEN eLITE 900 / 600 / 300
BIG.NINE 100 / 300 / 500 / 600 / XT-EDITION
BIG.SEVEN 100 / 300 / 500 / 600 / XT-EDITION
BIG.SEVEN TEAM ISSUE
CROSSWAY 100 / 300 / 500 / 600 / 900 / XT-EDITION
CROSSWAY LADY 100 / 300 / 500 / XT-EDITION
CROSSWAY URBAN 100 / 300 / 500 / XT-EDITION
CROSSWAY URBAN LADY 100 / 500 / XT-EDITION
eSPRESSO 600 / 600 EQ / 900 / 900 EQ
JULIET 7.100 / 300 / 500 / XT-EDITION
MATTS 6.100 / 500
YEAR 2015
BIG.NINE E-LITE 600 / 900
BIG.SEVEN 100 / 300 / 500 / 600 / 600 JULIET
BIG.SEVEN XT-EDITION / XT-EDITION JULIET
BIG.SEVEN TEAM ISSUE
MATTS 6.500 / 100
CROSSWAY 900-LADY / XT-EDITION-LADY
CROSSWAY 600-LADY / 500-LADY
CROSSWAY 300-LADY / 100-LADY
MATTS J24 TEAM
BIG.NINE XT-EDITION / TEAM ISSUE
BIG.NINE 600 / 500 / 300 / 100
YEAR 2014
BIG.SEVEN XT-EDITION / 900 / 500 / 300 / 100
ONE-TWENTY 3000 / XT-EDT / 1000 / 900 / 500
CROSSWAY 3000 / XT-EDITION / 900 / 500
CROSSWAY 300 / 100
DAKAR TEAM
O.NINE CF XT-EDITION / 1000
BIG NINE CF XT-EDITION / XO-EDITION / 1000
BIG NINE XT-EDITION / 900 / 500 / 300 / 100
MATTS XT-EDITION / 900 / 500 / 300 / 100
S-PRESSO 300 / 100

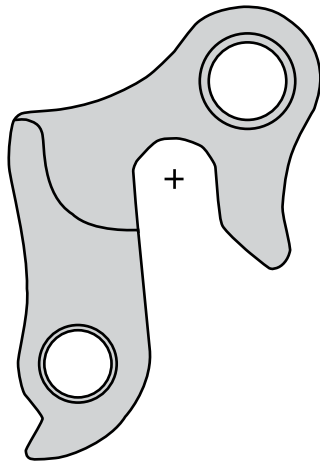
YEAR 2013
ONE-TWENTY CARBON XT-M
ONE-TWENTY XT-EDITION / XT-M / 3000
ONE-TWENTY 1000 / 900 / 500
NINETY-NINE CARBON TEAM / 3000
CROSSWAY XT-EDT / 900 / 500 / 300 / 100 / 40
DAKAR CHAMPION / TEAM
O.NINE SUPERLITE TEAM / 3000
O.NINE PRO XT-EDITION / 1200 / 1000
BIG NINE TFS XT-EDITION / 900 / 500 / 300 / 100
MATTS LITE XO-EDITION / TEAM ISSUE / XT-M
MATTS TFS XT-EDITION / 1000 / 900 / 800 / 600
S-PRESSO GT / 300 / 100
YEAR 2012
ONE-FORTY XT-EDITION / 900
ONE-TWENTY XT-EDT / 3000 / 1200 / 900 / 500
NINETY-NINE CARBON TEAM / 3000
CROSSWAY LITE 3000
CROSSWAY XT-EDITION / 900 / 500 / 300 / 100
DAKAR CHAMPION / TEAM
NINETY-SIX CARBON XT-EDITION / 1200
O.NINE SUPERLITE TEAM
O.NINE PRO XT-EDITION / 1200 / 1000
BIG NINE TFS XT-EDITION / 900 / 500 / 300 / 100
MATTS LITE XT-EDITION / CHAMPION / 2000 / 1200
MATTS TFS XT-EDITION / 1000 / 900 / 800 / 100V
S-PRESSO 900 / 300 / 100
UMF HARDY 4X TEAM / 4X
YEAR 2011
ONE-FORTY 3000 / 1500 / 800
ONE-TWENTY CARBON 5000 / 400 / 3000
ONE-TWENTY 3000 / 2000 / 1500
ONE-TWENTY 1200 / JULIET 1000 / 800 / 500
NINETY-SIX CARBON TEAM / 3000 / 2000
NINETY-SIX HFS 3000 / 1200
O.NINE TEAM / 5000 / 3000 / 2000
CARBON FLX 1500 / 1200 / 800
MATTS LITE 3000 / 2000 / 1500 / 1200 / 1000
TWENTY-NINE LITE 1800 / 1000
MATTS TFS 900 / 800 / 500
JULIET LITE 1200 / 1000
DAKAR TEAM / CHAMPION
CROSSWAY LITE / TFS
S-PRESSO 18 / 900 / 800 / 300 / 100
UMF HARDY 4X TEAM / 4X
YEAR 2010
TRANS-MISSION ALUMINIUM
ONE-TWENTY HFS
ONE-TWENTY TFS
NINETY-SIX CARBON
NINETY-SIX HFS
O.NINE
CARBON FLX
MATTS HFS
JULIET MARATHON
DAKAR TEAM / CHAMPION
CROSSWAY HFS / CROSSWAY TFS
S-PRESSO
UMF HARDY
YEAR 2009
NINETY-SIX CARBON
NINETY-SIX HFS
TRANS MISSION TFS
MISSION HFS UND TFS
CARBON FLX
MATTS HFS XC PRO / HFS XC / HFS TRAIL
MATTS TFS XC 900-800-700-600 / TFS TRAIL
DAKAR TEAM / CHAMPION
CROSSWAY HFS
CROSSWAY TFS SPORT / TFS COMFORT
S-PRESSO
UMF FREDDY / UMF HARDY

YEAR 2008
ALL MOUNTAIN
ONE-FIVE-O
MISSION C / MISSION CARBON / CARBON FLX
MATTS FLX / HFS / TFS TRAIL / TFS EDITION
MATTS TFS 900 / TFS 800 / TFS 700
DAKAR TEAM / CHAMPION
S-PRESSO
UMF HARDY
YEAR 2007
CARBON FLX
ALL MOUNTAIN
DAKAR TEAM / CHAMPION
MISSION / MISSION CARBON / MISSION JULIET
MATTS FLX / HFS
UMF HARDY



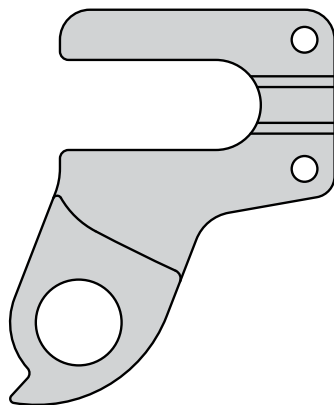
DH-013 E Item.No. 2311003422

YEAR 2015
JULIET 7.500 / 300 / 100 / XT-EDITION
YEAR 2014
JULIET XT-EDITION-B / 900-B / 500-B
JULIET 300-B / 100-B
CROSSWAY 40-D / 40-MD / 40-V
YEAR 2013
MATTS TFS 500 / 300 / 100
JULIET XT-EDITION / 1000 / 900 / 500 / 300 / 100
JULIET 500 / 300 / 100
NINETY-NINE XT/ XO-EDITION / TEAM ISSUE / 900
YEAR 2012
MATTS TFS 500 / 300 / 1000
JULIET XT-EDITION / 1000 / 900
JULIET 500 / 300 / 100
MATTS TRIAL 900 / 500 / 300 / 100
NINETY-NINE XT-EDITION / 2000 / 900
CROSSWAY 40
YEAR 2011
MATTS SCANDIUM 5000 / 3000 / 2000
MATTS TFS 300 / 200 / 100
MATTS TRAIL 800 / 300 / 100
MATTS 60D / 40D-N2 / 40D / 20MD-N2 / 20MD
JULIET SCANDIUM / TFS / 40D-N2 / 20D-N2
CROSSWAY 40D-N2 / 20MD-N2 / 20MD
JULIET SCANDIUM / TFS / 40D-N2 / 20D-N2
CROSSWAY 40D-N2 / 20MD-N2 / 20MD



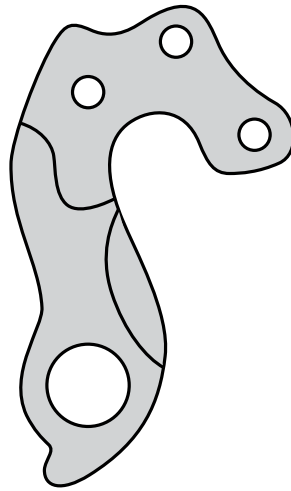
DH-10 (A-HG009) Item.No. 2311003518

YEAR 2017
CROSSWAY 15MD/15V/10V / LADY
MATTS 6.40D / 6.20D/20MD/20V/15V / 6.10V
CROSSWAY URBAN 40D / 40D-FED / 40D LADY / 40D-FED LADY / 20D/20MD / 20D/20MD-FED / 20D/MD LADY / 20D/MD-FED LADY
YEAR 2016
CROSSWAY 15-MD / 15-V / 10-V
CROSSWAY LADY 15-MD / 15-V / 10-V
MATTS 6. 40-D / 20-D / 20-MD / 20-V / 15-MD / 10-V
YEAR 2015
BIG.SEVEN 70 / 40
BIG.NINE 70 / 40
JULIET 7. 40-D / 6. 40-D
MATTS 6. 40-D
CROSSWAY 40-D/-LADY / 40-MD/-LADY
CROSSWAY 40-V/-LADY / 20-D/-LADY
CROSSWAY 20-MD/-LADY / 20-V/-LADY
CROSSWAY 15-MD/-LADY / 15-V/-LADY
CROSSWAY 10-V/-LADY



E02-0024-0 Item.No. 2311004263

YEAR 2017
WARP TRI 7000-E / 5000 / 3000
YEAR 2016
WARP TT TEAM-E
YEAR 2014
WARP CF TEAM-E / CF7-E

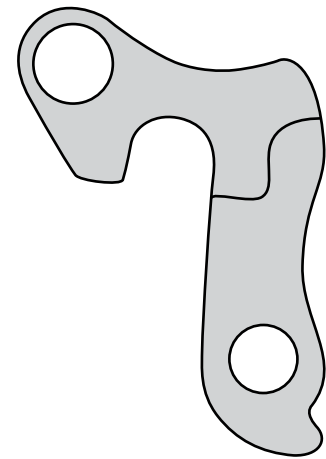


E02-0013 Item.No. 2311004393

YEAR 2017
REACTO TEAM-E / DA LTD / 7000-E / 6000 / 5000 / 4000
SCULTURA TEAM / 9000-E / 7000-E / 6000 / 5000 / 4000 / 4000 JULIET
RIDE 7000 / 5000 / 5000 JULIET / 4000 / 3000
RIDE DISC 7000 / ADVENTURE-CF / 5000 / 5000 JULIET

E02-0013-0 Item.No. 2311003734

YEAR 2016
REACTO TEAM-E DI2 / DA LTD / 7000-E-DI2
REACTO 6000 / 5000 / 4000
RIDE TEAM-E-DI2 / 4000 / 3000
RIDE DISC 7000 / 5000 / 3000
SCULTURA TEAM / 9000 / 7000-E / 6000
SCULTURA 5000 / 4000 / 4000 JULIET
WARP TRI 7000-E / 5000 / 3000
YEAR 2015
SCULTURA 9000 / 7000 / 6000 / 5000
SCULTURA 4000 / 4000 JULIET
RIDE TEAM / 7000 / 5000 / 4000 / 3000
RIDE DISC 3000 / 7000 / 5000
REACTO TEAM-E / DA LTD / 7000 / 5000 / 4000
WARP TRI 7000-E / 5000 / 3000
SPEEDER 3000 / 5000
YEAR 2014
SCULTURA CF TEAM-E / 907 / 906-C
SCULTURA CF 905 / 904 / 904 JULIET
RIDE CF TEAM / 97-CE / 97 / 95-E / 95
RIDE CF JULIET 95 / 94 / 93
REACTO CF TEAM / 907-E / 906-S / 905
YEAR 2013
SCULTURA SL 909 / TEAM
SCULTURA PRO 907-E / 907
SCULTURA COMP 906 / 905-E / 905 / 904
SCULTURA COMP JULIET 904 / 903
RIDE CARBON 95-30/ 95
RIDE CARBON 94-30 / 94 / 93-30 / 93
REACTO 909-E / 907-E / 907 / 904
YEAR 2012
SCULTURA EVO DA / 906 / 905 / 904
SCULTURA EVO JULIET
REACTO TEAM / 909 / 907 / 904
YEAR 2011
SCULTURA EVO 906 / 905 / 904
SCULTURA JULIET
REACTO TEAM / 909 / 907
YEAR 2010
SCULTURA EVO / SCULTURA / SCULTURA JULIET

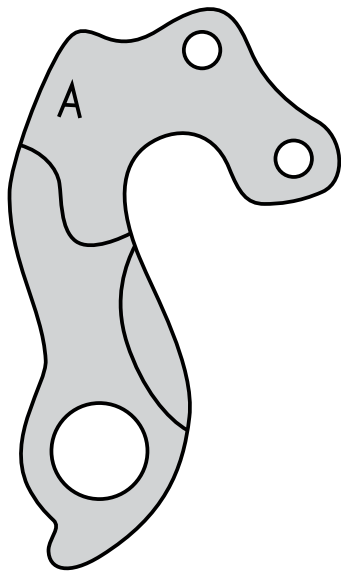


A-HG011 Item.No. 2311002250

YEAR 2017
BIG NINE 70 / 40D/40MD / 20D/20MD
BIG SEVEN 70 / 40D/40MD / 20D/20MD
CROSSWAY 40D/40MD / 40D/40MD LADY / 20D/20MD/20V / 20D/20MD20V LADY

A-HG-011 Item.No. 2311002614

YEAR 2016
BIG.SEVEN 70 / 40-D / 40-MD / 20-D / 20-MD
BIG.NINE 70 / 40-D / 40-MD / 20-D / 20-MD
CROSSWAY 40-D/-LADY / 20-D/-LADY / 20-MD/-LADY
JULIET 7. 40-D / 40-MD / 20-D
JULIET 6. 40-D / 40-V / 20-D / 20-MD / 20-V / 10-V
YEAR 2010
JULIET TFS
MATTS TFS XC / MATTS TFS TRAIL / MATTS
YEAR 2009
JULIET TFS / JULIET
MATTS TFS 500-300-100 / MATTS
YEAR 2008
CROSSWAY HFS / TFS / JULIET / MATTS SUB
MATTS TFS 500-300-100
YEAR 2007
CROSSWAY / URBAN
MATTS TFS / MATTS SUB / JULIET



8317-0000P BLACK Item.No. 2311004627

YEAR 2017
REACTO 500 / 400 / 300
SCULTURA 500 / 400 / 400 JULIET / 300 / 200 / 100 / 100 JULIET
SCULTURA DISC 200
RIDE 500 / 400 / 300 / 400 JULIET / 300 JULIET / 200 / 100 / 100 JULIET
RIDE DISC 500 / ADVENTURE / 100 / 100 JULIET

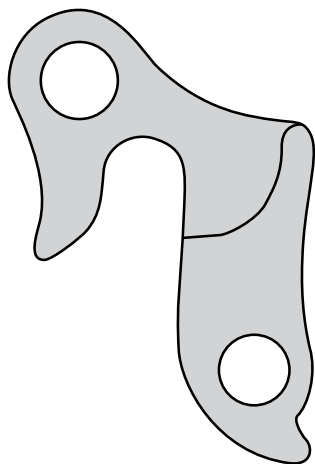
8317-0000P SILVER Item.No. 2311002249

YEAR 2017
SPEEDER 900 / 500 / 400 / 300 / 400 JULIET / 300 JULIET / 200 / 100 / 100 JULIET
CYCLOCROSS 700 / 600 / 500 / 300

8317-0000P 2-L Item.No. 2311002283

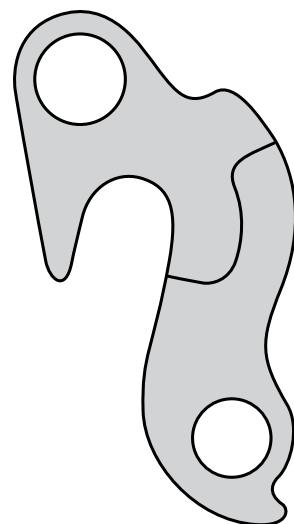
YEAR 2016
CYCLO CROSS 700 / 500 / 300 / 100
REACTO 500 / 400 / 300
RIDE 100 / 200 / 300 / 400 / 500
RIDE 100 JULIET / 300 JULIET / 400 JULIET
RIDE DISC 200 / 300 / 500
SCULTURA 100 / 200 / 300 / 400 / 500
SPEEDER 500 / 300 / 300-JULIET / 100
YEAR 2015
SCULTURA 500 / 400 / 300 / 200 / 100
RIDE 500 / 400 / 400 JULIET / 300 / 300 JULIET
RIDE 300-30 / 300-30 JULIET / 300 -NO / 200
RIDE 100 / 100-JULIET / 100-24 / 100-24 JULIET
CYCLO CROSS 700 / 500 / 300
SPEEDER 500 / 300 / 300-D / 300 JULIET
SPEEDER 200 / 200-D
SPEEDER 100 / 100-MD / 100 JULIET
REACTO 500 / 400 / 300
YEAR 2014
RIDE 94 / JULIET 94 / 93-30 / 93 / 91
RIDE JULIET 91 / RIDE 90 / 88-24 / 88
SPEEDER T5 / T3-D / T3 / T2-D / T2 / T1-MD / T1
SCULTURA 905 / 904 / 903 / 901 / 900
YEAR 2013
RIDE LITE 95-30 / 95 / 94-30 / 94 / JULIET 94-30
RIDE LITE JULIET 94 / 93-30 / 93 / 91-27 / 91
RIDE LITE JULIET 91-27 / JULIET 91 / 90-24 / 90
RIDE 88-24 / 88-16
RACE LITE 905 / 904 / 903 / 901 / 900
SPEEDER I8 / T5 / T3-D / T3 / T2-D / T2 / T1
YEAR 2012
SPEEDER T5 / T3 / T2 / T1
RACE LITE 905 / 904 / 903 / 901 / 880
RIDE LITE 95 / 94 / 93 / 91 / JULIET
RIDE 88 / 85 / 77 / 75 / JULIET

YEAR 2011
RACE LITE 905 / 904 / 903 / 901 / 880
RIDE LITE 95 / LITE 94 / 93 / 91 / 88 / JULIET
SPEEDER T5 / T3 / T2 / T1
YEAR 2010
ROAD RACE / ROAD RIDE / ROAD JULIET / SPEEDER
YEAR 2009
SCHULTURA EVO / SCULTURA
ROAD RACE / ROAD RIDE / ROAD JULIET / SPEEDER
YEAR 2008
ROAD RACE / ROAD RIDE
SCULTURA EVO / SCULTURA FLX / SPEEDER
YEAR 2007
ROAD FLX / ROAD LITE / ROAD
SCULTURA / CYCLOCROSS / SPEEDER



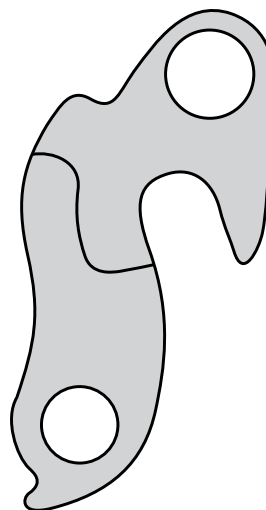
A-HG-009 Item.No. 2311003518

YEAR 2014
BIG.SEVEN 70 / 40 / 40-MD / 20-D / 20-MD
BIG.NINE 70 / 40 / 40-MD / 20-D / 20-MD
MATTS 70 / 40-D / 40-V / 40-MD
MATTS 20-D / 20-V / 20-MD / 15 / 10
JULIET 40-D / 40-MD / 40-V
JULIET 20-D / 20-V / 20-MD / 15 / 10
CROSSWAY 20-D / 20-MD / 20-V / 15 / 10
DAKAR 624 / 624 RACE / 620 / 620 RACE
DAKAR 624-SUS
YEAR 2013
MATTS 70-D / 40-D / 40-V / 40-MD
MATTS 20-V / 20-MD / 15 / 10
JULIET 40-D / 40-MD / 20-V / 20-MD / 15-V / 10-V
CROSSWAY 20-MD / 20-V / 15-V / 10-V
DAKAR 624 / 620
NINETY-SIX 624-SUS
YEAR 2012
CROSSWAY 20MD / 20V / 15V / 10V
MATTS 70D / 40D / 40V / 20V / 15V / 10V
MATTS WULF 60V
JULIET 40D / 20MD / 20V / 15V / 10V
YEAR 2011
CROSSWAY 40V-N2 / 20V-N2 / 10V-N2 / 5V-N2
CROSSWAY 20V / 15V / 10V
MATTS 40V-N2 / 20V-N2 / 10V-N2 / 5V-N2
MATTS 20V / 15V / 10V
JULIET 40V-N2 / 20V-N2 / 10V-N2 / 5V-N2
JULIET 20V / 15V / 10V
YEAR 2010
CROSSWAY TFS 600 V
YEAR 2009
CROSSWAY 40 / 20 / 10 / 5
YEAR 2007
KALAHARI / FREEWAY
YEAR 2006
KALAHARI
YEAR 2005
FIREBALL



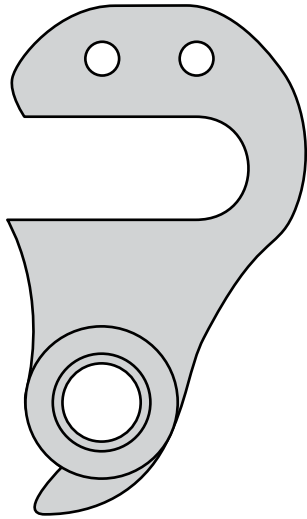
B1137 Item.No. 2311001107

YEAR 2014
CYCLO CROSS 5 / 4 / 3
YEAR 2013
CYCLO CROSS 5-D / 5-V / 4 / 3
YEAR 2012
CYCLO CROSS 5 / 4 / 3
YEAR 2011
CYCLO CROSS CARBON / CYCLO CROSS
YEAR 2010 / 2009 / 2008
CYCLO CROSS
YEAR 2006
CROSSWAY LRS
YEAR 2005
ROAD
CROSSWAY LRS / FREEWAY LRS / CITY LRS
YEAR 2004
MISSION / T-MISSION / ROAD
CROSSWAY LRS / FREEWAY LRS / CITY LRS
YEAR 2003
XC MISSION / LRS / ROAD
YEAR 2002 / 2001
EXTREME



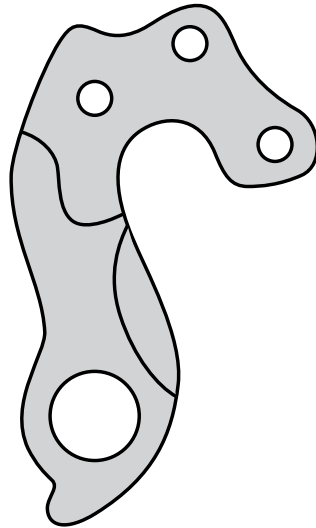
DH-025 Item.No. 2311003585

YEAR 2014
HARDY 4 / 5 / 6
YEAR 2013
HARDY 4 / 5 / 6
YEAR 2012
UMF HARDY 4 / 5 / 6
YEAR 2011
UMF HARDY 4 / 5 / 6



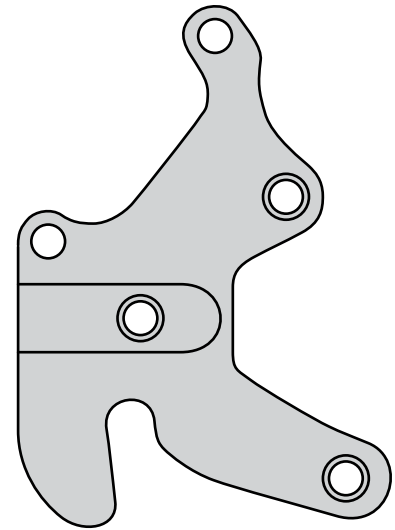
DH-019 Item.No. 2311003273

YEAR 2013
TIME WARP TEAM-E / 5 WARP 5
YEAR 2012
TIME WARP TEAM / 4 WARP 4
YEAR 2011
TIME WARP TEAM / 8 / 4 WARP 4
YEAR 2010
TIME WARP / WARP HFS



RE-50 Item.No. 2311003927

YEAR 2013
CYCLO CROSS CARBON TEAM / TEAM ISSUE SPEEDER CARBON T5
YEAR 2012
CYCLO CROSS CARBON TEAM / 907 / 7 SPEEDER CARBON T5

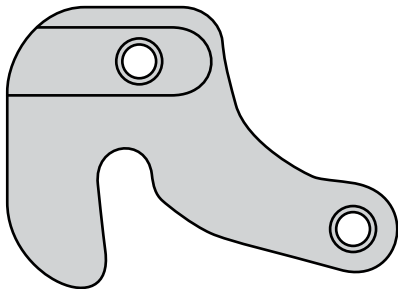


DH-020 L RED Item.No. 2311003466

YEAR 2011
UMF FREDDY TEAM / FREDDY 1

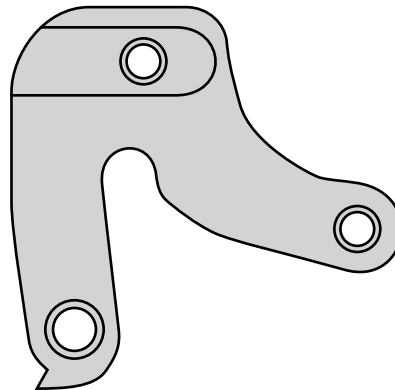
DH-020 L BLACK Item.No. 2311003109

YEAR 2012
UMF FREDDY 2 / UMF SLOPE UMF HARDY DJ
YEAR 2011
UMF FREDDY 2 UMF HARDY DJ TEAM / DJ 1 / DJ 2 / DJ 2-24"
YEAR 2010
UMF FREDDY TEAM / FREDDY 1 / FREDDY 2 UMF HARDY DJ TEAM / HARDY 2D 24 SINGLE



DH-021 R Item.No. 2311003121

YEAR 2012
UMF HARDY DJ TEAM / DJ 2 / DJ 1
YEAR 2011
UMF HARDY DJ TEAM / DJ 1 / DJ 2 / DJ 2-24"
YEAR 2010
UMF HARDY DJ TEAM / HARDY 2D 24 SINGLE

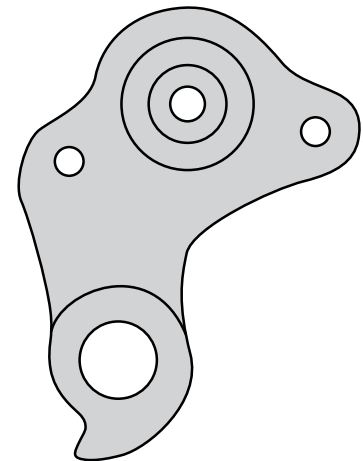


DH-020 R RED Item.No. 2311003455

YEAR 2011
UMF FREDDY TEAM / FREDDY 1

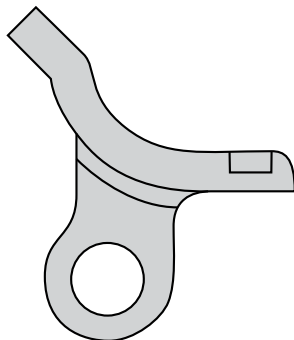
DH-020 R BLACK Item.No. 2311003091

YEAR 2012
UMF FREDDY 2 UMF SLOPE
YEAR 2011
UMF FREDDY 2
YEAR 2010
UMF FREDDY TEAM / FREDDY 1 / FREDDY 2



DH-018 A GOLD Item.No. 2311003303

YEAR 2011
ONE-FIVE-O 3000 DISC / 1000 DISC
YEAR 2010
TRANS-MISSION CARBON 4000 DISC ONE-FIVE-O 800 DISC



ADK-HG Item.No. 2311002852

YEAR 2011
UMF DUNCAN TEAM / COMP
YEAR 2010
UMF DUNCAN
YEAR 2009
UMF DUNCAN

FRAME	ONE-SIXTY CFA	ONE-FORTY	ONE-TWENTY CFA	ONE-TWENTY TFS	NINETY-SIX CF5	NINETY-SIX CF3	NINETY-SIX CFA	NINETY-SIX LITE
WHEELSIZE	27,5"	27,5"	27,5" / 29"	27,5" / 29"	27,5" / 29"	27,5" / 29"	27,5" / 29"	27,5" / 29"
HEAD TUBE								
tapered 1-1/8 - 1.5	X	X	X	X	X	X	X	X
tapered 1 - 1-1/8								
Tapered 1-1/8 - 1-1/4								
1-1/8								
HEADSET								
Integrated								
Semi-integrated (44-55mm)	X	X	X	X	X	X	X	X
others (bearing cups outside)								
BRAKE STANDARD								
Disc brake on chain stay	X				X	X	X	X
disc brake on seat stay		X	X	X				
Post Mount 160mm rear brake		X			X	X	X	X
Post Mount 180mm rear brake	X		X	X				
IS mount								
Flatmount								
Rimbrake Direktmount								
Rimbrake standard								
Rimbrake V-brake								
BB-STANDARD								
BSA (73MM)		X	X	X				
BSA (68mm)								
BB30								
BB 86								
BB386								
BB 92	X				X	X	X	X
others								
SEATPOST DIAMETER								
27.2 mm								
31.6 mm		X	X	X	X	X	X	X
30.9 mm	X							
others								
REAR DROPOUT-STANDARD								
Quick Release 9mm								
E-Thru axle 12x142		X	X	X				
Boost 12x148	X				X	X	X	X
others								
CABLE ROUTING								
Internal shifting cables	X	X	X	X	X	X	X	X
internal brake cable	X		X		X	X	X	X
internal shock cable			X		X	X	X	X
internal seat post cable	X	X	X	X	X	X	X	X
DI2-READY	X		X		X	X	X	X
EQUIPMENT OPTIONS								
Hebie 40mm								
Pletscher 18mm								
Carrier mount frame								
Carrier mount fork								
Fender mount frame								
Fender mount fork								
FD-STANDARD								
Brazed on								
Standard clamp								
High clamp								
Low clamp								
Low direct mount								
High direct mount		X	X	X	X	X	X	X
top pull								
Down pull								
Dual pull		X						
side swing			X	X	X	X	X	X
FRAMEWEIGHT	2,6 kg	3,12 kg	2,52 kg	2,76 kg	1,82 kg	1,93 kg	2,42 kg	2,71 kg
FORKWEIGHT								
SIZES	S,M,L	S,M,L,XL	S,M,L,XL	S,M,L,XL	S,M,L,XL	S,M,L,XL	S,M,L,XL	S,M,L,XL
COCKPIT								
handlebar width	760 mm	760 mm	please contact your distributor specifications vary from model to model	please contact your distributor specifications vary from model to model	720 mm	720 mm	720 mm	720 mm
handlebar rise	20 mm	20 mm			0	0	0	0
stem length	35 mm	55 mm			S-80mm, M-80mm, L-90mm, XL-100mm	S-80mm, M-80mm, L-90mm, XL-100mm	S-80mm, M-80mm, L-90mm, XL-100mm	S-80mm, M-80mm, L-90mm, XL-100mm
stem diameter	35 mm	35 mm			31.8 mm	31.8 mm	31.8 mm	31.8 mm
CRANK LENGTH	170-S, 175-M/L	170-S, 175-M/L/XL			170-S, 175-M/L/XL	170-S, 175-M/L/XL	170-S, 175-M/L/XL	170-S, 175-M/L/XL

FRAME	BIG.NINE CF5	BIG.NINE CF3	BIG.NINE LITE	BIG.NINE TFS	BIG.NINE SPEED	BIG.SEVEN CF5	BIG.SEVEN CF3	BIG.SEVEN LITE	BIG.SEVEN TFS	BIG.SEVEN SPEED	BIG.TRAIL
WHEELSIZE	29"	29"	29"	29"	29"	27,5"	27,5"	27,5"	27,5"	27,5"	B+
HEAD TUBE											
tapered 1-1/8 - 1.5	X	X	X	X		X	X	X	X		x
tapered 1 - 1-1/8											
Tapered 1-1/8 - 1-1/4											
1-1/8					X					X	
HEADSET											
Integrated	x					x					
Semi-integrated (44-55mm)		X	X	X	X		x	X	X	X	x
others (bearing cups outside)											
BRAKE STANDARD											
Disc brake on chain stay	x	x	x	X		x	x	X	X		x
disc brake on seat stay					X					X	
Post Mount 160mm rear brake	X	X	X	X	X	X	X	X	X	X	
Post Mount 180mm rear brake											x
IS mount											
Flatmount											
Rimbrake Direktmount											
Rimbrake standard											
Rimbrake V-brake					X					X	
BB-STANDARD											
BSA (73MM)				X	X				X	X	
BSA (68mm)											
BB30											
BB 86											
BB386											
BB 92	x	x	x			x	x	x			x
others											
SEATPOST DIAMETER											
27.2 mm				X	X				X	X	
31.6 mm											
30.9 mm	x	x	x			x	x	x			x
others											
REAR DROPOUT-STANDARD											
Quick Release 9mm				X	X				X	X	
E-Thru axle 12x142											
Boost 12x148	x	x	x			x	x	x			x
others											
CABLE ROUTING											
Internal shifting cables	X	X	x	X		X	X	X	X		x
internal brake cable	x	x	x			x	x	X			x
internal shock cable											
internal seat post cable	x	x	x			x	x	x			x
D12-READY	x	x	x			x	x	x			x
EQUIPMENT OPTIONS											
Hebie 40mm				X	X				X	X	
Pletscher 18mm											
Carrier mount frame				X	X				X	X	
Carrier mount fork											
Fender mount frame				X	X				X	X	
Fender mount fork											
FD-STANDARD											
Brazed on											
Standard clamp											
High clamp											
Low clamp				X	X				X	X	
Low direct mount		X	X				X	X			
High direct mount											
top pull											
Down pull											
Dual pull				X	X				X	X	
side swing		x	x				x	x			
FRAMEWIGHT	0,9 kg	1,25 kg	1,80 kg	1,80 kg	1,95 kg	0,9 kg	1,25 kg	1,75 kg	1,80 kg	1,95 kg	2,0 kg
FORKWEIGHT											
SIZES	S,M,L,XL	S,M,L,XL,XXL	S,M,L,XL,XXL	S,M,L,XL,XXL		S,M,L	XS,S,M,L	XS,S,M,L	XS, S, M, L, XL, XXL	XS, S, M, L, XL, XXL	S, M, L, XL
COCKPIT											
handlebar width	720 mm	720 mm	720 mm	700 mm	700 mm	720 mm	720 mm	720 mm	700 mm	700 mm	760 mm
handlebar rise	0	0	0	15 mm	15 mm	0	10	15 mm	15 mm	15 mm	20 mm
stem length	S-80mm, M-80mm, L-90mm, XL-100mm	S-80mm, M-80mm, L-90mm, XL-100mm, XXL-110mm	S-80mm, M-80mm, L-90mm, XL-100mm, XXL-110mm	S-70mm, M-80mm, L-90mm, XL-100mm, XXL-110mm	S-70mm, M-80mm, L-90mm, XL-100mm, XXL-110mm	XS-70mm, S-70mm, M-80mm, L-80mm	XS-80mm, S-80mm, M-80mm, L-80mm	XS-80mm, S-80mm, M-80mm, L-80mm	XS-70, S-70mm, M-70mm, L-90mm, XL-100mm, XXL-110mm	XS-70, S-70mm, M-70mm, L-90mm, XL-100mm, XXL-110mm	35mm
stem diameter	31.8 mm	31.8 mm	31.8 mm	31.8mm	31.8 mm	31.8 mm	31.8 mm	31.8 mm	31.8 mm	31.8mm	35mm
CRANK LENGTH	170-S, 175-M/L/XL	170-S, 175-M/L/XL	170-S, 175-M/L/XL/XXL	170-S, 175-M/L/XL/XXL	170-S/M, 175-L/XL/XXL	170-S, 175-M/L/XL	170-S, 175-M/L/XL	170-S, 175-M/L/XL	170-XS/S/M, 175-L/XL/XXL	170-XS/S/M, 175-L/XL/XXL	170-S, 175-M/L/XL

FRAME	JULIET TFS	JULIET SPEED	MATTS TFS	MATTS SPEED	MATTS J.CHAMPION / MATTS J.TEAM	MATTS JR
WHEELSIZE	27,5"	26" / 27,5"	26"	26"	26" / 27,5"	12", 16", 20", 24"
HEAD TUBE						
tapered 1-1/8 - 1.5					X	
tapered 1 - 1-1/8						
Tapered 1-1/8 - 1-1/4						
1-1/8	X	X	X	X		
HEADSET						
Integrated						
Semi-integrated (44-55mm)	X	X	X		X	
others (bearing cups outside)				X		X
BRAKE STANDARD						
Disc brake on chain stay			X		X	
disc brake on seat stay	X	X		X		X
Post Mount 160mm rear brake	X	X	X	X	X	X
Post Mount 180mm rear brake						
IS mount						
Flatmount						
Rimbrake Direktmount						
Rimbrake standard						
Rimbrake V-brake		(X)		X		X
BB-STANDARD						
BSA (73MM)	X	X	X	X	X	X
BSA (68mm)						
BB30						
BB 86						
BB386						
BB 92						
others						X
SEATPOST DIAMETER						
27.2 mm	X	X		X	X	X
31.6 mm			X			
30.9 mm						
others						X
REAR DROPOUT-STANDARD						
Quick Release 9mm	X	X	X	X	X	X
E-Thru axle 12x142						
Boost 12x148						
others						X
CABLE ROUTING						
Internal shifting cables					X	
internal brake cable						
internal shock cable						
internal seat post cable						
DIZ-READY						
EQUIPMENT OPTIONS						
Hebie 40mm	X	X	X	X	X	
Pletscher 18mm						
Carrier mount frame	X	X	X	X	X	
Carrier mount fork						
Fender mount frame	X	X	X	X	X	
Fender mount fork						
FD-STANDARD						
Brazed on						
Standard clamp						
High clamp		(X)				X
Low clamp	X	X	X	X	X	
Low direct mount						
High direct mount						
top pull						
Down pull						
Dual pull	X	X	X	X	X	X
side swing						
FRAMEWIGHT	1,65 kg	1,55 kg	1,80 kg	1,90 kg	1,80 kg	1,00 - 2,90 kg
FORKWEIGHT						
SIZES	XS, S, M, L, XL	XS, S, M, L, XL	XS, S, M, L, XL, XXL	XS, S, M, L, XL, XXL	XS	
COCKPIT						
handlebar width	660 mm	660 mm	660 mm	660 mm	620 mm	
handlebar rise	25 mm	25 mm	10 mm	10 mm	0 / 15 mm	
stem length	XS-80mm, S-80mm, M-80mm, L-90mm, XL-90mm	XS-80mm, S-80mm, M-80mm, L-90mm, XL-90mm	XS-70mm, S-70mm, M-90mm, L-100mm, XL-110, XXL-110	XS-70mm, S-70mm, M-90mm, L-100mm, XL-110, XXL-110	70mm	please contact your distributor specifications vary from model to model
stem diameter	31.8 mm	31.8 mm	31.8 mm	31.8 mm	31.8 / 25.4 mm	
CRANK LENGTH	170-XS/S/M, 175-L/XL/XXL	170-XS/S/M, 175-L/XL/XXL	170-XS/S/M, 175-L/XL/XXL	170-XS/S/M, 175-L/XL/XXL	165 / 155 mm	

FRAME	SCULTURA CF5/CF4	SCULTURA CF4 DISC	SCULTURA CF2	SCULTURA CF2 DISC	SCULTURA LITE	SCULTURA LITE DISC	REACTO CF5	REACTO CF2	REACTO LITE	REACTO TRACK	
WHEELSIZE	700 C	700C	700 C	700C	700 C	700C	700 C	700 C	700 C	700C	
HEAD TUBE											
tapered 1-1/8 - 1.5			X	X	X	X	X	X	X	X	
tapered 1 - 1-1/8											
Tapered 1-1/8 - 1-1/4	X	X									
1-1/8											
HEADSET											
Integrated	X	X					X	X			
Semi-integrated (44-55mm)			X	X	X	X			X	X	
others (bearing cups outside)											
BRAKE STANDARD											
Disc brake on chain stay		X		X		X					
disc brake on seat stay											
Post Mount 160mm rear brake											
Post Mount 180mm rear brake											
IS mount											
Flatmount		X		X		X					
Rimbrake Direktmount	X						X	X			
Rimbrake standard	X		X		X				X		
Rimbrake V-brake											
BB-STANDARD											
BSA (73MM)											
BSA (68mm)			X		X				X	X	
BB30											
BB86		X		X		X					
BB386	X						X	X			
BB 92											
others											
SEATPOST DIAMETER											
27.2 mm	X	X	X	X	X	X					
31.6 mm											
30.9 mm											
others							X	X	X	X	
REAR DROPOUT-STANDARD											
Quick Release 9mm	X		X		X	X	X	X	X	X	
E-Thru axle 12x142				X		X					
Boost 12x148											
others		X									
CABLE ROUTING											
Internal shifting cables	X	X	X	X	X	X	X	X	X	X	
internal brake cable	X	X	X	X	X	X	X	X	X	X	
internal shock cable											
internal seat post cable											
DI2-READY	X	X	X	X							
EQUIPMENT OPTIONS	-	-	-	-	-	-	-	-	-	-	
FD-STANDARD											
Brazed on	X	X	X	X	X	X	X	X	X	X	
Standard clamp											
High clamp											
Low clamp											
Low direct mount											
High direct mount											
top pull	X		X		X		X	X	X		
Down pull											
Dual pull											
side swing											
FRAMEWEIGHT	0,72 kg / 0,82kg	0,9kg	1,10 kg	1,1kg	1,48 kg	1,6kg	0,95 kg	1,10 kg	1,8 kg	1,8 kg	
FORKWEIGHT	0,29 kg / 0,31kg	0,4kg		0,42kg		0,42kg	0,45 kg	0,45 kg	0,45 kg	0,45 kg	
SIZES	XXS(44),XS(47),S(50),S/M(52),M/L(54),L(56),XL(59)	XXS(44),XS(47),S(50),S/M(52),M/L(54),L(56),XL(59)	XXS(44),XS(47),S(50),S/M(52),M/L(54),L(56),XL(59)	XXS(44),XS(47),S(50),S/M(52),M/L(54),L(56),XL(59)	XXS(44),XS(47),S(50),S/M(52),M/L(54),L(56),XL(59)	XXS(44),XS(47),S(50),S/M(52),M/L(54),L(56),XL(59)	XXS(44),XS(47),S(50),S/M(52),M/L(54),L(56),XL(59)	XS(47),S(50),S/M(52),M/L(54),L(56),XL(59)	XS(47),S(50),S/M(52),M/L(54),L(56),XL(59)	XS(47),S(50),S/M(52),M/L(54),L(56),XL(59)	XS(47),S(50),S/M(52),M/L(54),L(56),XL(59)
COCKPIT											
handlebar width	XS-380mm, S-400mm, S/M-420mm, M/L-420mm, L-440mm, XL-440mm	XS-380mm, S-400mm, S/M-420mm, M/L-420mm, L-440mm, XL-440mm	XS-380mm, S-400mm, S/M-420mm, M/L-420mm, L-440mm, XL-440mm	XS-380mm, S-400mm, S/M-420mm, M/L-420mm, L-440mm, XL-440mm	XS-380mm, S-400mm, S-90mm, S/M-100mm, M-L-100mm, L-110mm, XL-120mm	XS-380mm, S-400mm, S-90mm, S/M-100mm, M-L-100mm, L-110mm, XL-120mm	XS-380mm, S-400mm, S-90mm, S/M-100mm, M-L-100mm, L-110mm, XL-120mm	XS-380mm, S-400mm, S-90mm, S/M-100mm, M-L-100mm, L-110mm, XL-120mm	XS-380mm, S-400mm, S-90mm, S/M-100mm, M-L-100mm, L-110mm, XL-120mm	XS-380mm, S-400mm, S-90mm, S/M-100mm, M-L-100mm, L-110mm, XL-120mm	XS-380mm, S-400mm, S-90mm, S/M-100mm, M-L-100mm, L-110mm, XL-120mm
handlebar rise	-6°	-6°	-6°	-6°	-6°	-6°	-6°	-5°	-5°	-5°	
stem length	XS-90mm, S-90mm, S-M-100mm, M-L-100mm, L-110mm, XL-120mm	XS-90mm, S-90mm, S-M-100mm, M-L-100mm, L-110mm, XL-120mm	XS-90mm, S-90mm, S-M-100mm, M-L-100mm, L-110mm, XL-120mm	XS-90mm, S-90mm, S-M-100mm, M-L-100mm, L-110mm, XL-120mm	XS-90mm, S-90mm, S-M-100mm, M-L-100mm, L-110mm, XL-120mm	XS-90mm, S-90mm, S-M-100mm, M-L-100mm, L-110mm, XL-120mm	XS-90mm, S-90mm, S-M-100mm, M-L-100mm, L-110mm, XL-120mm	XS-90mm, S-90mm, S-M-100mm, M-L-100mm, L-110mm, XL-120mm	XS-90mm, S-90mm, S-M-100mm, M-L-100mm, L-110mm, XL-120mm	XS-90mm, S-90mm, S-M-100mm, M-L-100mm, L-110mm, XL-120mm	XS-90mm, S-90mm, S-M-105mm, M-L-105mm, L-120mm, XL-120mm
stem diameter	31,8mm	31,8mm	31,8mm	31,8mm	31,8mm	31,8mm	31,8mm	31,8mm	31,8mm	31,8	
CRANK LENGTH											
	XXS-165mm, XS-170mm, S-170mm, S-M-172,5mm, M-L-172,5mm, L-175mm, XL-175mm	XXS-165mm, XS-170mm, S-170mm, S-M-172,5mm, M-L-172,5mm, L-175mm, XL-175mm	XXS-165mm, XS-170mm, S-170mm, S-M-172,5mm, M-L-172,5mm, L-175mm, XL-175mm	XXS-165mm, XS-170mm, S-170mm, S-M-172,5mm, M-L-172,5mm, L-175mm, XL-175mm	XXS-165mm, XS-170mm, S-170mm, S-M-172,5mm, M-L-172,5mm, L-175mm, XL-175mm	XXS-165mm, XS-170mm, S-170mm, S-M-172,5mm, M-L-172,5mm, L-175mm, XL-175mm	XXS-165mm, XS-170mm, S-170mm, S-M-172,5mm, M-L-172,5mm, L-175mm, XL-175mm	XS-170mm, S-170mm, S-M-172,5mm, M-L-172,5mm, L-175mm, XL-175mm	XS-170mm, S-170mm, S-M-172,5mm, M-L-172,5mm, L-175mm, XL-175mm	XS-170mm, S-170mm, S-M-172,5mm, M-L-172,5mm, L-175mm, XL-175mm	XS-165mm, S-165mm, S-M-170mm, M-L-170mm, L-172,5mm, XL-172,5mm

FRAME	RIDE CF2	RIDE LITE	RIDE DISC	RIDE LITE DISC	WARP TT	WARP TRI
WHEELSIZE	700 C	700 C	700 C	700 C	700 C	700 C
HEAD TUBE						
tapered 1-1/8 - 1.5	X	X	X			
tapered 1 - 1-1/8					X	
Tapered 1-1/8 - 1-1/4						
1-1/8						X
HEADSET						
Integrated					X	X
Semi-integrated (44-55mm)	X	X	X	X		
others (bearing cups outside)						
BRAKE STANDARD						
Disc brake on chain stay			X	X		
disc brake on seat stay						
Post Mount 160mm rear brake				X		
Post Mount 180mm rear brake						
IS mount						
Flatmount						
Rimbrake Direktmount					X	X
Rimbrake standard	X	X				
Rimbrake V-brake						
BB-STANDARD						
BSA (73MM)						
BSA (68mm)	X	X		X		
BB30						
BB 86			X		X	X
BB386						
BB 92						
others						
SEATPOST DIAMETER						
27.2 mm	X	X	X	X		
31.6 mm						
30.9 mm						
others					X	X
REAR DROPOUT-STANDARD						
Quick Release 9mm	X	X	X	X		X
E-Thru axle 12x142						
Boost 12x148						
others					X	
CABLE ROUTING						
Internal shifting cables			X	X	X	X
internal brake cable			X	X	X	X
internal shock cable						
internal seat post cable						
DI2-READY	X		X			
EQUIPMENT OPTIONS						
Hebie 40mm						
Pletscher 18mm						
Carrier mount frame						
Carrier mount fork						
Fender mount frame			X	X		
Fender mount fork			X	X		
FD-STANDARD						
Brazed on	X		X		X	X
Standard clamp		X		X		
High clamp					X	
Low clamp						
Low direct mount						
High direct mount						
top pull	X	X	X	X	X	X
Down pull						
Dual pull						
side swing						
FRAMEWEIGHT	1,10 kg	1,53 kg			1,37 kg	
FORKWEIGHT	0,48 kg	0,48 kg			0,44 kg	
SIZES	XXS(44),XS(47), S(50), S/M(52), M/L(54), L(56), XL(59)	XXS(44),XS(47), S(50), S/M(52), M/L(54), L(56), XL(59)	XS(47), S(50), S/M(52), M/L(54), L(56), XL(59)	XS(47), S(50), S/M(52), M/L(54), L(56), XL(59)	S(50), M(54), L(58)	S(50), M(54), L(58)
COCKPIT						
handlebar width	XS-380mm, S-400mm, S/M-420mm, M/L-420mm, L-440mm, XL-440mm	XS-380mm, S-400mm, S/M-420mm, M/L-420mm, L-440mm, XL-440mm	XS-380mm, S-400mm, S/M-420mm, M/L-420mm, L-440mm, XL-440mm	XS-380mm, S-400mm, S/M-420mm, M/L-420mm, L-440mm, XL-440mm		S-400mm, M-420mm, L-420mm
handlebar rise	-5°	500-300: -5° 200-100: -6°	-5°	500, Adventure: -5° 200-100: -6°		-6°
stem length	XS-90mm, S-90mm, S-M-100mm, M-L-100mm, L-110mm, XL-120mm	XS-90mm, S-90mm, S-M-100mm, M-L-100mm, L-110mm, XL-120mm	XS-90mm, S-90mm, S-M-100mm, M-L-100mm, L-110mm, XL-120mm	XS-90mm, S-90mm, S-M-100mm, M-L-100mm, L-110mm, XL-120mm		S-90mm, M-100mm, L-110mm
stem diameter	31,8mm	31,8mm	31,8mm	31,8mm		31,8mm
CRANK LENGTH	XS-170mm, S-170mm, S-M-172,5mm, M-L-172,5mm, L-175mm, XL-175mm	XXS-165mm, XS-170mm, S-170mm, S-M-172,5mm, M-L-172,5mm, L-175mm, XL-175mm	XS-170mm, S-170mm, S-M-172,5mm, M-L-172,5mm, L-175mm, XL-175mm	XS-170mm, S-170mm, S-M-172,5mm, M-L-172,5mm, L-175mm, XL-175mm		

FRAME	SPEEDER CF3	SPEEDER LITE	CYCLOCROSS CF3	CYCLOCROSS LITE	CROSSWAY TFS	CROSSWAY SPEED	CROSSWAY	CROSSWAY URBAN CF3	CROSSWAY URBAN TFS
WHEELSIZE	700 C	700 C	700 C	700 C	700 C	700 C	700 C	700 C	700 C
HEAD TUBE									
tapered 1-1/8 - 1.5	X	X	X	X				X	
tapered 1 - 1-1/8									
Tapered 1-1/8 - 1-1/4									
1-1/8		X			X	X	X		X
HEADSET									
Integrated									
Semi-integrated (44-55mm)	X	X	X	X	X			X	X
others (bearing cups outside)						X	X		
BRAKE STANDARD									
Disc brake on chain stay	X		X	X	X			X	X
disc brake on seat stay		X				X	X		
Post Mount 160mm rear brake	X	X	X	X				X	
Post Mount 180mm rear brake									
IS mount					X	X	X		X
Flatmount									
Rimbrake Direktmount									
Rimbrake standard									
Rimbrake V-brake		X				X	X		
BB-STANDARD									
BSA (73MM)					X	X	X		X
BSA (68mm)		X							
BB30									
BB 86	X		X	X				X	
SEATPOST DIAMETER									
27.2 mm	X	X	X	X	X	X	X	X	X
REAR DROPOUT-STANDARD									
Quick Release 9mm		X			X	X	X		X
E-Thru axle 12x142	X		X	X				X	
Boost 12x148									
others									
CABLE ROUTING									
Internal shifting cables	X	X	X	X				X	
internal brake cable	X	X	X	X				X	
internal shock cable									
internal seat post cable									
EQUIPMENT OPTIONS									
Hebie 40mm					X	X	X		X
Pletscher 18mm									
Carrier mount frame		X		X	X	X	X		X
Carrier mount fork		X							
Fender mount frame	X	X	X	X	X	X	X	X	X
Fender mount fork	X	X	X	X				X	
FD-STANDARD									
Brazed on	X		X	X				X	
Standard clamp		X							
High clamp									
Low clamp					X	X	X		X
Low direct mount									
High direct mount									
top pull		X							
Down pull	X		X	X				X	
Dual pull					X	X	X		X
side swing									
FRAMEWEIGHT		1,61 kg			1,75 kg	1,85 kg	2,00 kg		1,75 kg
FORKWEIGHT									
SIZES	XS(47), S(50), M(53), L(56), XL(59)		XS(47), S(50), M(53), L(56), XL(59)	XS(47), S(50), S/M(52), M/L(54), L(56), XL(59)	41cm, 44cm, 46cm, 48cm, 52cm, 55cm, 58cm, 61cm	41cm, 44cm, 46cm, 48cm, 52cm, 55cm, 58cm, 61cm	41cm, 44cm, 46cm, 48cm, 52cm, 55cm, 58cm, 61cm	XS(47), S(50), M(53), L(56), XL(59)	41cm, 44cm, 46cm, 48cm, 52cm, 55cm, 58cm, 61cm
COCKPIT									
handlebar width	XS-400mm, S-400mm, M-420mm, L-420mm, XL-440mm	600mm	XS-400mm, S-400mm, M-420mm, L-420mm, XL-440mm	XS-400mm, S-400mm, M-420mm, L-420mm, XL-440mm	600mm	600mm	600mm	600mm	600mm
handlebar rise	-5°	900-300: 5°, 200-100: 6°	-5°	-5°	XT-Edition-500:5°, 300-100: adjustable	adjustable		-5°	17°
stem length	XS-80mm, S-90mm, M-100mm, L-100mm, XL-110mm	47cm-80mm, 50cm-90mm, 52cm-100mm, 54cm-100mm, 56cm-110mm, 59cm-110mm	XS-80mm, S-90mm, M-100mm, L-100mm, XL-110mm	XS-90mm, S-90mm, S-M-100mm, M-L-100mm, L-110mm, XL-120mm	41cm-80mm, 44cm-80mm, 46cm-80mm, 48cm-90mm, 52cm-90mm, 55cm-100mm, 58cm-100mm, 61cm-110mm	41cm-80mm, 44cm-80mm, 46cm-80mm, 48cm-90mm, 52cm-90mm, 55cm-100mm, 58cm-100mm, 61cm-110mm	41cm-80mm, 44cm-80mm, 46cm-80mm, 48cm-90mm, 52cm-90mm, 55cm-100mm, 58cm-100mm, 61cm-110mm	XS-80mm, S-90mm, M-100mm, L-100mm, XL-110mm	41cm-80mm, 44cm-80mm, 46cm-80mm, 48cm-90mm, 52cm-90mm, 55cm-100mm, 58cm-100mm, 61cm-110mm
stem diameter	31,8mm	31,8mm	31,8mm	31,8mm	31,8mm	31,8mm	31,8mm	31,8mm	31,8mm
CRANK LENGTH									
	XS-170mm, S-170mm, M-172,5mm, L-175mm, XL-175mm	XS-170mm, S-170mm, S-M-172,5mm, M-L-172,5mm, L-175mm, XL-175mm	XS-170mm, S-170mm, M-172,5mm, L-175mm, XL-175mm	XS-165mm, S-165mm, S-M-170mm, M-L-172,5mm, L-175mm, XL-175mm					



MERIDA.com

SUBJECT TO CHANGE. ERRORS EXCEPTED.